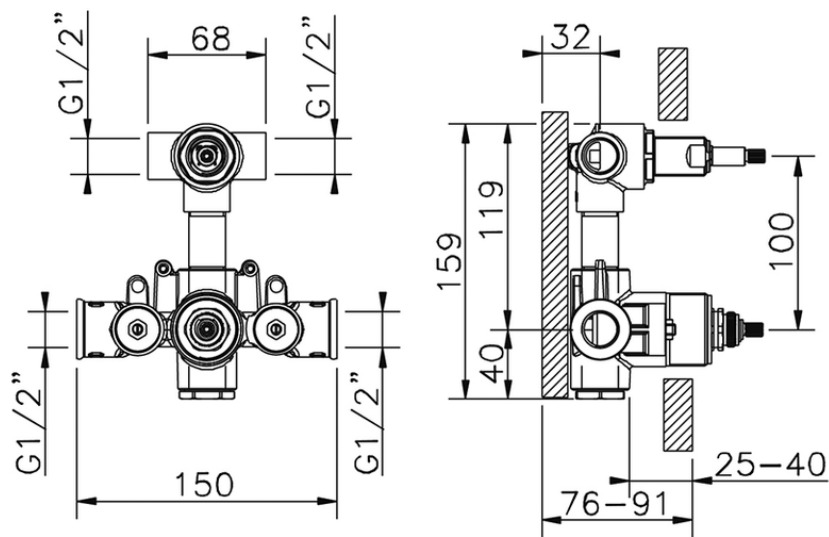


**Exposed part for con.thermo.shower mixer,2-outlets HI-RISE\_RI019100**

RI019100

<https://en.cisal.it/exposed-part-for-con-thermo-shower-mixer-2-outlets-hi-rise-ri019100>



ZA019101

<https://en.cisal.it/concealed-thermostatic-shower-mixer-2-outlets-concealed-za019101>

2026-04-04