

Exposed simple tap ARCANA CERAMIC_AC001520

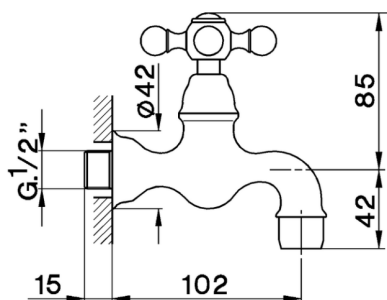
MODEL **AC001520**

Exposed simple tap

AVAILABLE FINISHINGS



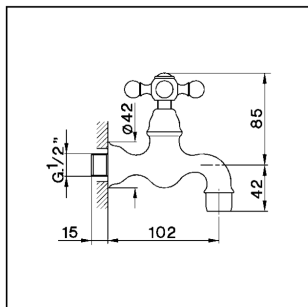
CHARACTERISTICS



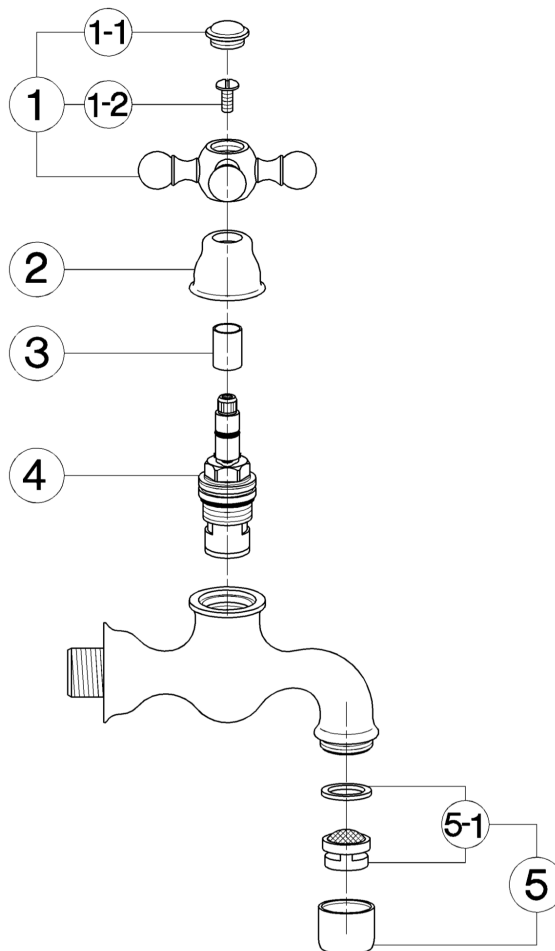
Exposed simple tap ARCANA CERAMIC_AC001520

cisal

AC 00152



- Rubinetto a parete
- Simple tap
- Auslaufventil
- Robinet simple



bar	PORTATA * FLOW RATE DURCHFLOSS DEBIT l/min.
0,5	8,5
1	12
2	16,5
3	20
4	23
5	26

* con resistenza silenziosa della classe di portata B (25.2 l/min. a 3 bar)
with hydraulic resistance of flow rate class B (25.2 l/min. at 3 bar)
mit geräuscharmen Widerstand der Durchflussklasse B (25.2 l/min. bei 3 bar)
avec aérateur classe B (25.2 l/min. à 3 bar)

NR.	DESCRIZIONE DESCRIPTION BESCHREIBUNG DESCRIPTION	N. CODICE CODE NO. WERKSNR. NR. CODE	NR.	DESCRIZIONE DESCRIPTION BESCHREIBUNG DESCRIPTION	N. CODICE CODE NO. WERKSNR. NR. CODE	NR.	DESCRIZIONE DESCRIPTION BESCHREIBUNG DESCRIPTION	N. CODICE CODE NO. WERKSNR. NR. CODE
1	Maniglia "AR" con vite e placchetta Handle with screw and plate "AR" Griff "AR" mit Schraube und Abdeckkappe Crosillon avec vis et plaque "AR"	ZZ 90307 0	5	Aeratore M.22x1 IB Mousseur M.22x1 IB Perlator M.22x1 IB Mousseur M.22x1 IB	ZZ 92841 0			
1-1	Placchetta a vite maniglia "AR" Cap for handle "AR" Abdeckkappe "AR" Griff Plaque cache - vis crois. "AR"	ZZ 92617 0	5-1	Cartuccia per aeratore M. 22x1 Mousseur cartridge M.22x1 Kart. 1/Perlator M.22x1 Cartouche x mousseur M.22x1	ZZ 92703 0			
1-2	Vite M.4,5x10 tb. tc. zigrinata Screw M.4,5x10 Schraube M.4,5x10 Vis M.4,5x10	ZZ 92609 0						
2	Cappuccio coprivite Ø32 H.21 "AC" Escutcheon Ø32 H.21 "AC" headvalve Abdeckkappe Ø32 H.21 "AC" Rosace couvre-tête Ø32 H.21 "AC"	ZZ 92652 0						
3	Tubetto coprivite "AR" H.15,5 Sliding cover tube "AR" H.15,5 Abdeckkappe Oberteil "AR" H.15,5 Tube couvre-tête "AR" H.15,5	ZZ 92619 0						
4	Vitone ceramico DX per mondolori e gruppi "AC" Ceramic headvalve 1/2" right "AC"-short Keramikoberteil 1/2"-rechts "AC"-kurz Tête céramique 1/2" droite "AC" - courte	ZZ 92858 0						

AC.16

AC001520

<https://en.cisal.it/exposed-simple-tap-arcana-ceramic-ac001520>

2026-04-09