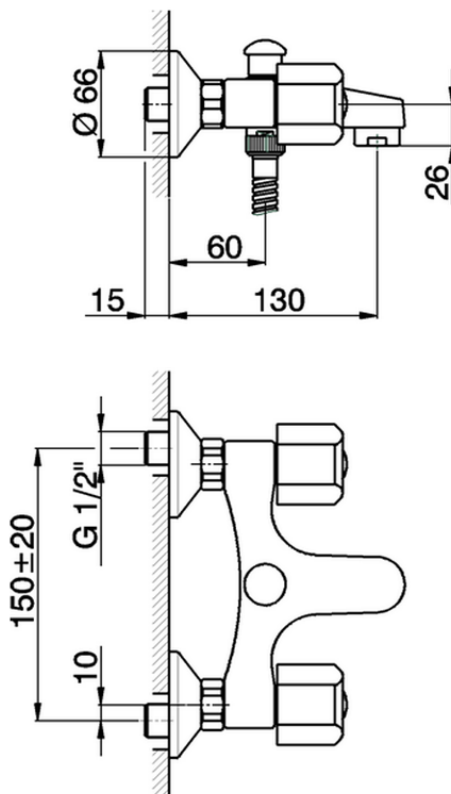


Bath mixer TR_TR000150



TR000150

<https://en.cisal.it/bath-mixer-tr-tr000150>

2026-04-28