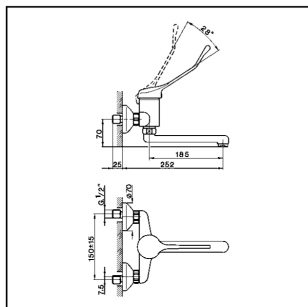


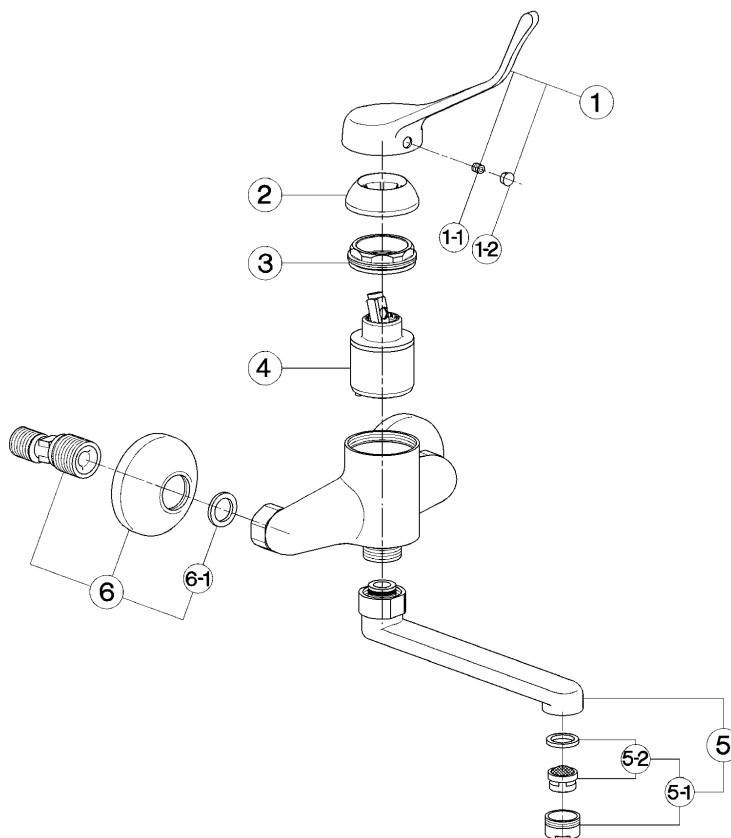
Exposed single lever sink mixer CLINIC_EL000400

cisal

EL 00040



- Monocomando livello
- Single lever sink mixer
- Einhand-Spültischbatterie
- Mitigeur évier



bar	PORTATA BOCCA DI EROGAZIONE * SPOUT FLOW RATE DURCHFLOSS WANNENEINLAUF DEBIT BEC DEVERSEUR l/min.
0.5	6
1	8
2	11.5
3	14
4	16
5	17.5

* con resistenza silenziosa della classe di portata A (15 l/min. a 3 bar)
with hydraulic resistance of flow rate class A (15 l/min. at 3 bar)
mit geräuscharmen Widerstand der Durchflussklasse A (15 l/min. bei 3 bar)
avec aérateur classe A (15 l/min. à 3 bar)

NR.	DESCRIZIONE DESCRIPTION BESCHREIBUNG DESCRIPTION	N. CODICE CODE NO. WERKSNR. NR. CODE	NR.	DESCRIZIONE DESCRIPTION BESCHREIBUNG DESCRIPTION	N. CODICE CODE NO. WERKSNR. NR. CODE	NR.	DESCRIZIONE DESCRIPTION BESCHREIBUNG DESCRIPTION	N. CODICE CODE NO. WERKSNR. NR. CODE
1	Leva clinica universale per monocomando Lever for clinic mixer Hebel U/Clinic Armaturen Levier longue	ZA 00500 0	5	Canna ovale interasse 185 Swinging spout 185 Auslauf Wandspültisch-185 Bec orientable 185	ZZ 92814 0			
1-1	Grano punta piano inox M.6x6 Screw-stainless steel M.6x6 Mädenschraube M.6x6 Vis speciale inox M.6x6	ZZ 92645 0	5-1	Aeratore M.24x1 IA Mousseur M.24x1 IA Perlator M.24x1 IA Mousseur M.24x1 IA	ZZ 92836 0			
1-2	Piacchetta per leva Cap for lever Abdeckkappe f/Hebel Plaquette levier	ZZ 92710 0	5-2	Cartuccia per aeratore M. 24x1 Mousseur cartridge M.24x1 Kart. f/Perlator M.24x1 Cartouche x mousseur M.24x1	ZZ 92695 0			
2	Copricartuccia senza ideogrammi Escutcheon cartridge without ideogram Abdeckkappe ohne Ideogramm Couvere-cartouche sans ideogramme	ZZ 92718 0	6	Eccentrico con rosone Eccentric connection with escutcheon S- Anschluss m. Rosette Eccentrique + rosace	ZZ 92848 0			
3	Calotta bloccaggio cartuccia piccola Nut for mixing valve-small Mutter f/Kartusche Ecrou pour cartouche	ZZ 92603 0	6-1	Guarnizione NBR 90 SH. 24x16x2,7 Gasket NBR 90 SH. 24x16x2,7 Dichtung NBR 90 SH. 24x16x2,7 Joint NBR 90 SH. 24x16x2,7	ZZ 92689 0			
4	Cartuccia monocomando piccola Mixing valve - small size Kartusche Cartouche mitigeurs	ZZ 92909 0						

EL.4

EL000400

<https://en.cisal.it/exposed-single-lever-sink-mixer-clinicel000400>

2024-09-08