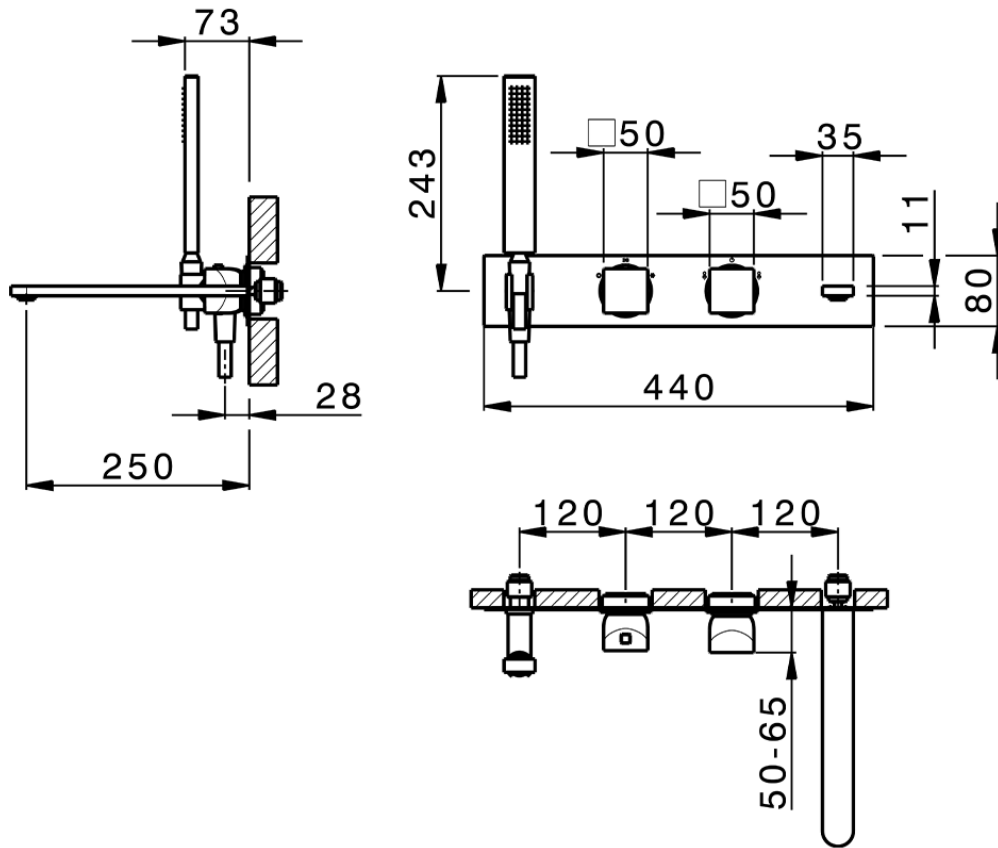
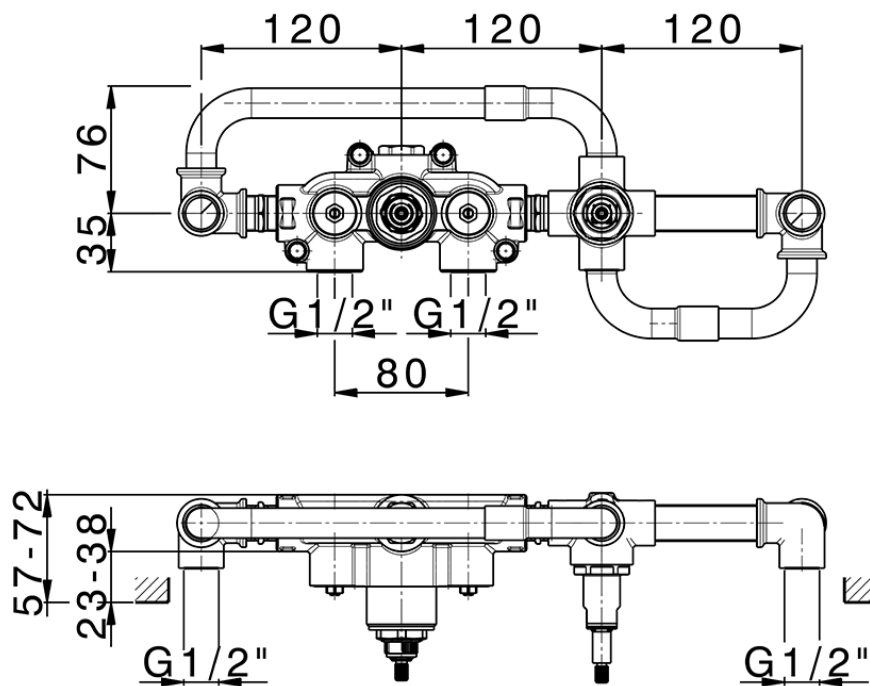


Exposed part for con.thermo. bath mixer, 2-outlet HI-RISE_RI019440



RI019440

<https://en.cisal.it/exposed-part-for-con-thermo-bath-mixer-2-outlet-hi-rise-ri019440>



ZA019440

<https://en.cisal.it/concealed-thermostatic-bath-mixer-2-outlets-concealed-za019440>

2026-04-29