




Exposed part for concealed washbasin mixer BARCELONA_BA013515

MODEL **BA013515**

Exposed part for concealed washbasin mixer, without concealed part, for item ZA033510

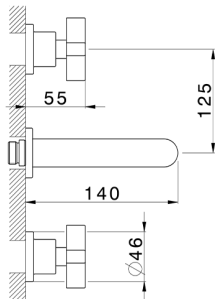
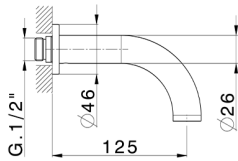
AVAILABLE FINISHINGS

-  **21** 21 Chrome
-  **2A** 2A Satin Brushed Nickel
-  **40** 40 Matt Black

CHARACTERISTICS

Installation **Concealed**

Required concealed parts **ZA033510**



Concealed washbasin mixer CONCEALED_ZA033510

MODEL **ZA033510**

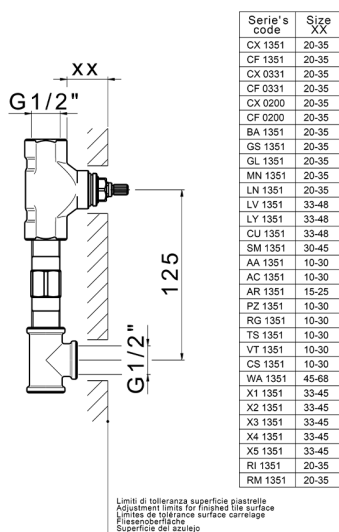
Concealed washbasin mixer, with two right headvalves

AVAILABLE FINISHINGS



CHARACTERISTICS

Concealed **1**



2026-04-06