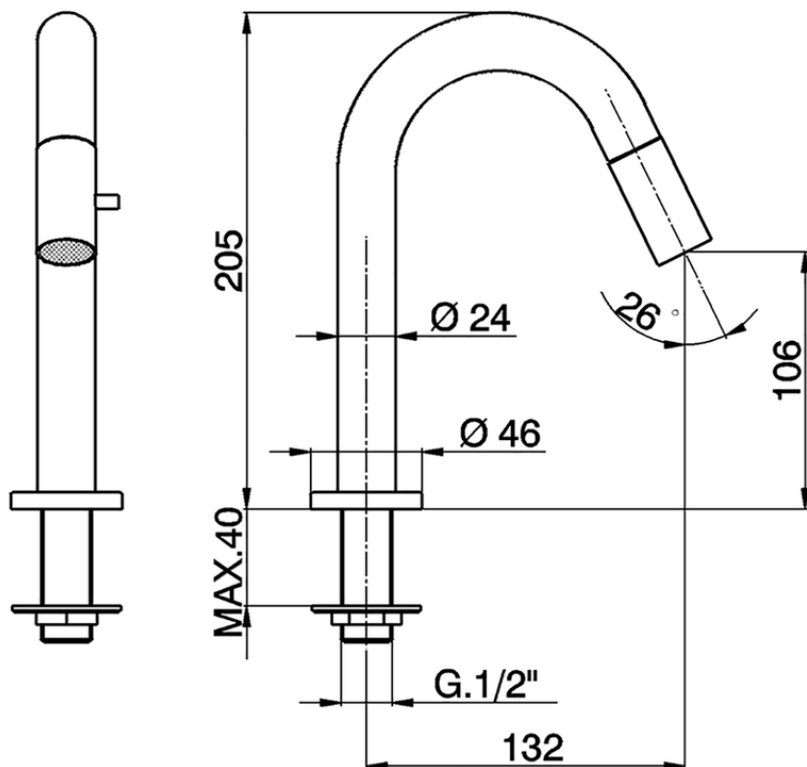


## Pillar tap SLIM\_LM000910



LM000910

<https://en.cisal.it/pillar-tap-slim-lm000910>

2026-06-13