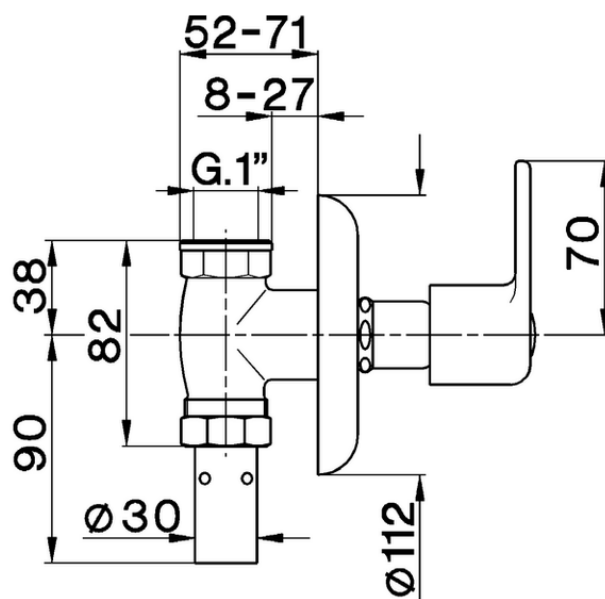


Concealed rapid flow valve COMPONENTS_ZA002711

ZA002711

<https://en.cisal.it/concealed-rapid-flow-valve-components-za002711>

2026-06-24