

Exposed single lever sink mixer KITCHEN_EU000430

MODEL **EU000430**

Exposed single lever sink mixer, swivel spout

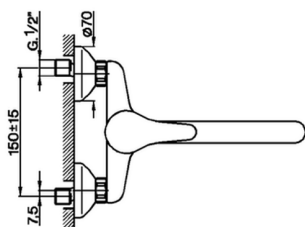
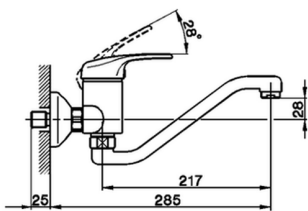
AVAILABLE FINISHINGS



CHARACTERISTICS

Cartridge Spare Parts **ZZ95274000**

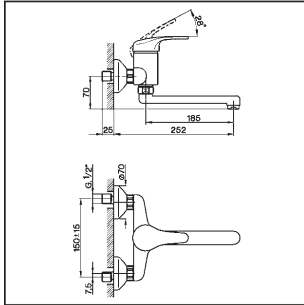
40 mm Cartridge



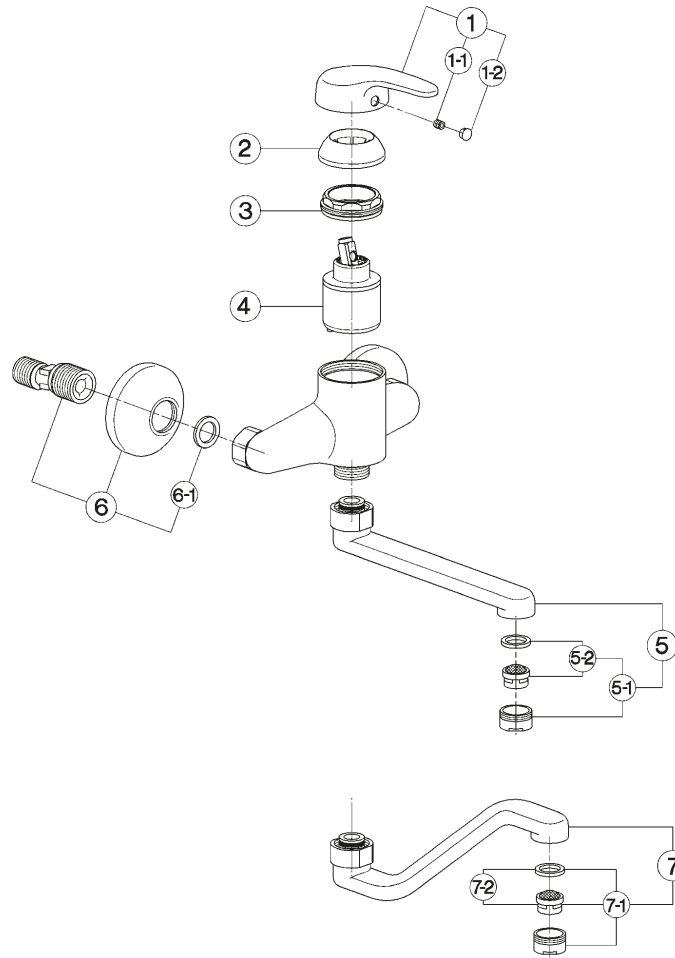
Exposed single lever sink mixer KITCHEN_EU000430

cisal

EU 00040 (EU 00043)



- Monocomando livello
- Single lever sink mixer
- Einhand-Wand-Spültischbatterie
- Mitigeur évier mural



bar	PORTATA BOCCA DI EROGAZIONE * SPOUT FLOW RATE DURCHFLUSS WANNENEINLAUF DEBIT BEC DEVERSEUR l/min.
0,5	6
1	8
2	11.5
3	14
4	16
5	17.5

* con resistenza silenziosa della classe di portata A (15 l/min. a 3 bar)
with hydraulic resistance of flow rate class A (15 l/min. at 3 bar)
mit geräuscharmen Widerstand der Durchflussklasse A (15 l/min. bei 3 bar)
avec aérateur classe A (15 l/min. à 3 bar)

NR.	DESCRIZIONE DESCRIPTION BESCHREIBUNG DESCRIPTION	N. CODICE CODE NO. WERKSNR. NR. CODE	NR.	DESCRIZIONE DESCRIPTION BESCHREIBUNG DESCRIPTION	N. CODICE CODE NO. WERKSNR. NR. CODE	NR.	DESCRIZIONE DESCRIPTION BESCHREIBUNG DESCRIPTION	N. CODICE CODE NO. WERKSNR. NR. CODE
1	Leva monocomando "EU" Lever "EU" Hebel "EU" Lévier "EU"	ZZ 92857 0	5	Canna ovale interasse 185 Swinging spout 185 Auslauf Wändspültisch-185 Bc orientable 185	ZZ 92814 0	7-1	Aeratore M.24x1 IA Mousseur M.24x1 IA Perlator M.24x1 IA Mousseur M.24x1 IA	ZZ 92836 0
1-1	Grano punta piastra inox M.6x6 Screw stainless steel M.6x6 Meterschraube M.6x6 Vis speciale inox M.6x6	ZZ 92645 0	5-1	Aeratore M.24x1 IA Mousseur M.24x1 IA Perlator M.24x1 IA Mousseur M.24x1 IA	ZZ 92836 0	7-2	Cartuccia per aeratore M. 24x1 Mousseur cartridge M.24x1 Kart. f/Perlator M.24x1 Cartouche x mousseur M.24x1	ZZ 92695 0
1-2	Placchetta per leva Cap for lever Abdeckkappe f/Hebel Plaquelette lever	ZZ 92710 0	5-2	Cartuccia per aeratore M. 24x1 Mousseur cartridge M.24x1 Kart. f/Perlator M.24x1 Cartouche x mousseur M.24x1	ZZ 92695 0			
2	Copri cartuccia senza ideogrammi Escutcheon cartridge without ideogram Abdeckkappe ohne Ideogramm Couvre cartouche sans ideogramme	ZZ 92718 0	6	Eccentrico con rosone Eccentric connection with escutcheon S - Anschluss m. Rosette Eccentrique + rosace	ZZ 92848 0			
3	Chiodo bloccaggio cartuccia piccola Nut for mixing valve small Mutter f/Kartusche Ecrou pour cartouche	ZZ 92603 0	6-1	Guarnizione NBR90 SH 24x16x2,7 Gasket NBR90 SH 24x16x2,7 Dichtung NBR90 SH 24x16x2,7 Joint NBR90 SH 24x16x2,7	ZZ 92689 0			
4	Cartuccia monocomando Mixing valve Kartusche Cartouche mitigeurs	ZZ 95273 0	7	Canna ovale interasse 217 Swinging spout 217 Auslauf-Föhr-S-217 Bc orientable 217	ZZ 92971 0			

EU.4

EU000430

<https://en.cisal.it/exposed-single-lever-sink-mixer-kitchen-eu000430>

2026-04-05