

Deck mounted 2-hole single lever bath mixer ARCANA ROYAL_AY001290

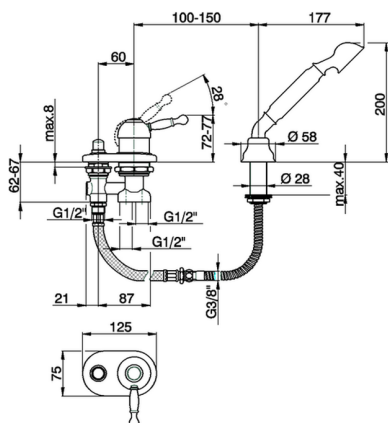
MODEL **AY001290**

Deck mounted 2-hole single lever bath mixer, automatic diverter, Arcana one spray handshower, 175 cm Brass flexible hose



AVAILABLE FINISHINGS

-  **21** 21 Chrome
-  **24** 24 Gold
-  **26** 26 Old Copper
-  **27** 27 Old Bronze
-  **2A** 2A Satin Brushed Nickel
-  **74** 74 Chrome/Gold



CHARACTERISTICS

Cartridge Spare Parts **ZZ92909000**

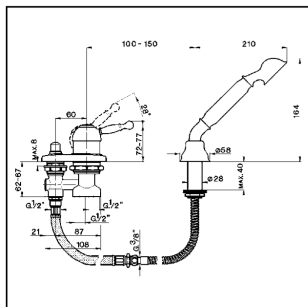
43 mm Cartridge



Deck mounted 2-hole single lever bath mixer ARCANA ROYAL_AY001290

cisal

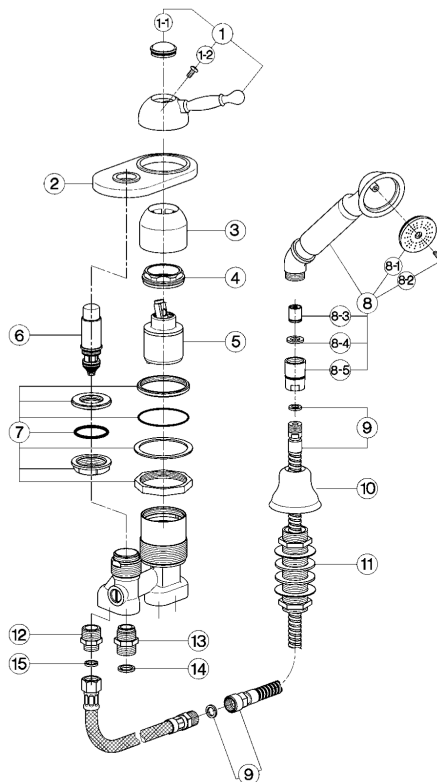
AY 00129



- Batteria bordo vasca
- Deck-mounted bath mixer
- Einhand-Badebatterie
- Mitigeur bain/douche sur gorge

bar	PORTATA * FLOW RATE DURCHFLOß DEBIT l/min.
0.5	15.5
1	22
2	31.5
3	39
4	/
5	/

* senza resistenza silenziosa (uscita libera)
without hydraulic resistance
ohne Widerstand
sans résistance hydraulique



NR.	DESCRIZIONE DESCRIPTION BESCHREIBUNG DESCRIPTION	N. CODICE CODE NO. WERKSNR. NR. CODE	NR.	DESCRIZIONE DESCRIPTION BESCHREIBUNG DESCRIPTION	N. CODICE CODE NO. WERKSNR. NR. CODE	NR.	DESCRIZIONE DESCRIPTION BESCHREIBUNG DESCRIPTION	N. CODICE CODE NO. WERKSNR. NR. CODE
1	Leva monocomando "AY" Lever "AY" Hebel "AY" Levier "AY"	ZZ 90370 0	8	Doccia per batteria vasca "AR" Handshower for bath mixer "AR" Handbrause-WB-"AR" Douchette "AR" sur gorge	ZZ 90336 0	11	Supporto doccia batteria bordo vasca "AR" Deck-mounted handshower support "AR" Braushalter "AR" Support douche "AR"	ZZ 90104 0
1-1	Placchetta per leva "AY" Cap for lever "AY" Abdeckkappe 1/3 Hebel "AY" Plaquelette levier "AY"	ZZ 93048 0	8-1	Diffusore doccia "AR" Spray-kit handshower "AR" Einsatz 1/Brause "AR" Diffuseur douchette "AR"	ZZ 90544 0	12	Nipples G.1/2" x G.3/8" Nipples G.1/2" x G.3/8" Nipples G.1/2" x G.3/8" Nipples G.1/2" x G.3/8"	ZZ 92918 0
1-2	Vite M.4,5x15 tb. tc. Screw M.4,5x15 Schraube M.4,5x15 Vis M.4,5x15	ZZ 92641 0	8-2	Vite di fissaggio diffusore per doccia in ottone Fixing screw for spray-kit handshower Befestigungsschraube f. Einsatz 1. Br. in Messing Vis de fixation diffuseur pour douchette en laiton	ZZ 92640 0	13	Nipples G.1/2" x G.1/2" Nipples G.1/2" x G.1/2" Nipples G.1/2" x G.1/2" Nipples G.1/2" x G.1/2"	ZZ 92627 0
2	Piastra monoc. bordo vasca con deviazione Abdeckkasette 1/3 Wege Einhand-Badebatterie Plaque mitigeur sur gorge avec inverseur	ZZ 92993 0	8-2	Vite di fissaggio diffusore per doccia in ABS Fixing screw for spray-kit ABS handshower Befestigungsschraube f. Einsatz 1. Brause in ABS Vis de fixation diffuseur pour douchette en ABS	ZZ 93401 0	14	Guarnizione fibra 18,5x11x2 Gasket rubber 18,5x11x2 Fiberdichtung 18,5x11x2 Joint en fibre 18,5x11x2	ZZ 92714 0
3	Copricartuccia monocomando incasso Escutcheon cartridge Abdeckkappe Couver-cartouche	ZZ 92727 0	8-3	Valvola anti-retorno Ø15 per doccia Back-flow valve Ø15 Durchflussverhinderer Ø15 Clapet anti-retour Ø15	ZZ 92956 0	15	Guarnizione fibra 3/8" Gasket rubber 3/8" Fiberdichtung 3/8" Joint en fibre 3/8"	ZZ 92696 0
4	Calotta bloccaggio cartuccia piccola Nut for mixing valve-small Mutter 1/Kartusche Ecrou pour cartouche	ZZ 92603 0	8-4	Guarnizione fibra 18,5x11x2 Gasket rubber 18,5x11x2 Fiberdichtung 18,5x11x2 Joint en fibre 18,5x11x2	ZZ 92714 0			
5	Cartuccia monocomando piccola Mixing valve - small size Kartusche Cartouche mitigeurs	ZZ 92909 0	8-5	Raccordo conico doccia batteria vasca "AR" Connection for shower "AR" Anschluss "AR" Raccord douche s/gorge "AR"	ZZ 90337 0			
6	Deviazione automatica per monoc.bordo vasca Diverter deck-mid conc. single lever mixer Umstellung Inverseur automatique mitigeur B/D sur gorge	ZZ 92418 0	9	Flessibile 175 cm Ø14 3/8" x M.15x1 Flex 175 cm Ø14 3/8" M.15x1 Brauseschlauch 175 cm Ø14 3/8" x M.15x1 Flex 175 cm Ø14 3/8" x M.15x1	ZZ 92757 0			
7	Set install.monoc.bordo vasca con dev.aut. Inst. set deck-mid bath mixer with diverter Belegungsset Set installation	ZZ 92417 0	10	Cappuccio supporto doccia bordo vasca "AR" Escutcheon shower "AR" Abdeckkappe "AR" Rosace douche "AR"	ZZ 92599 0			

AY.8

AY001290

<https://en.cisal.it/deck-mounted-2-hole-single-lever-bath-mixer-arcana-royal-ay001290>

2026-06-13