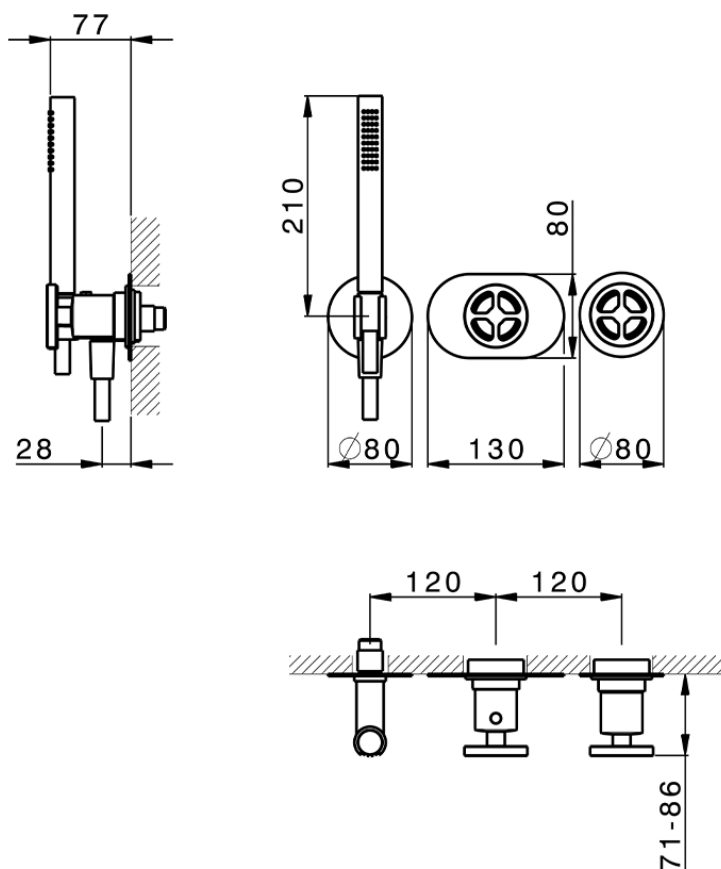
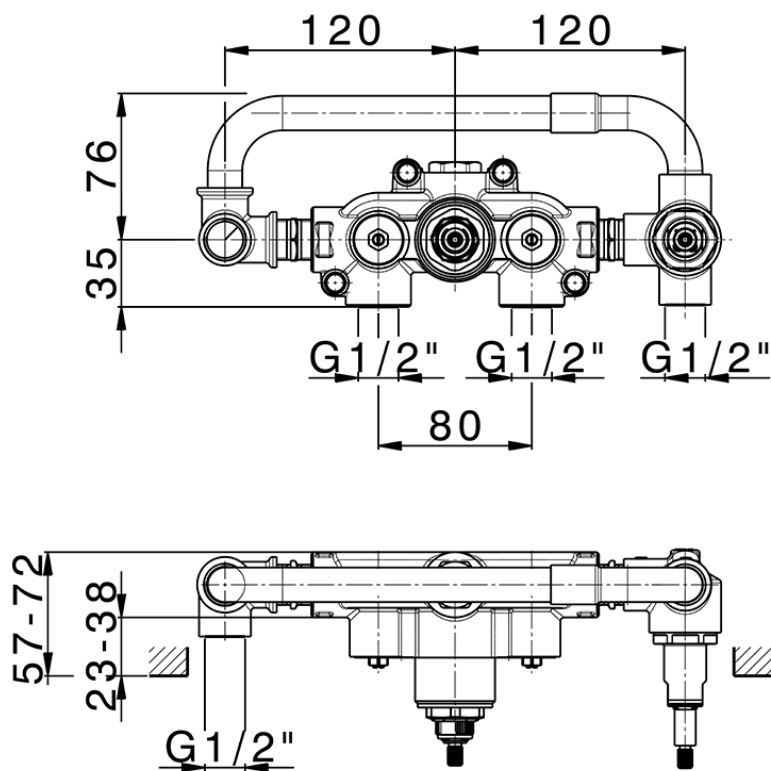


Exposed part for con.thermo.shower valve, 2-outlet GRACE_MN019641



MN019641

<https://en.cisal.it/exposed-part-for-con-thermo-shower-valve-2-outlet-grace-mn019641>



ZA019340

<https://en.cisal.it/concealed-thermostatic-shower-mixer-2-outlets-concealed-za019340>

2026-06-13