

## 2-functions Thermostatic shower set ALMA\_A3C82010

MODEL **A3C82010**

2-functions Thermostatic shower set, 2 outlet deviasop, adjustable riser column, sliding handshower holder, 100 mm ABS Lodge 3 spray handshower, D.250 mm round showerhead, 150 cm smooth SILVERFLEX Flexible Hose

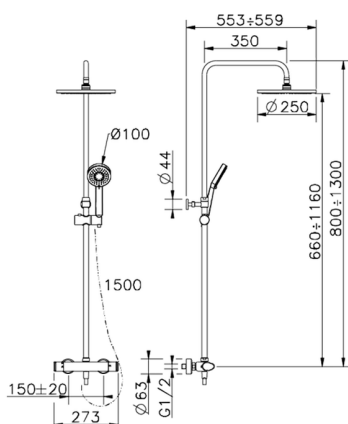
AVAILABLE FINISHINGS



CHARACTERISTICS

Cartridge Spare Parts **22.04A.AR - ZZ97279004**

**Argo 2 (long filter) Thermostatic Valve**



### DeviaStop

The Cisal Devia Stop technology allows to adjust the water flow and to direct it to the selected output point (overhead soaker, hand shower, etc).



### SafeTouch

The Cisal SafeTouch system maintains the mixer body cool to the touch during operation.

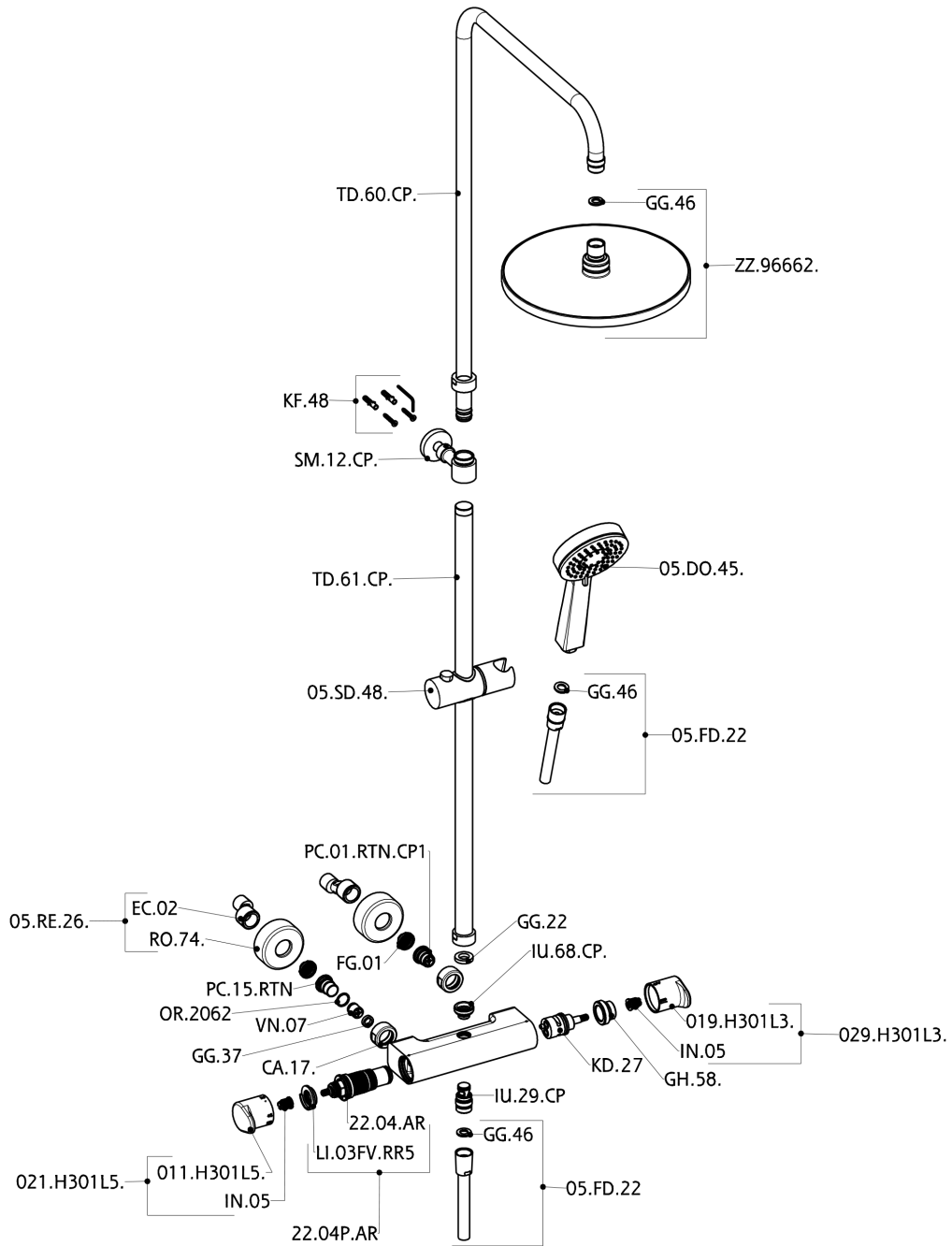


### Thermostatic

The Cisal thermostatic is your personal water manager, helping you to handle, control and save water and energy.



## 2-functions Thermostatic shower set ALMA\_A3C82010



A3C82010

<https://en.cisal.it/2-functions-thermostatic-shower-set-agma-a3c82010>

2026-04-29