

## Exposed sink mixer TR\_TR000410

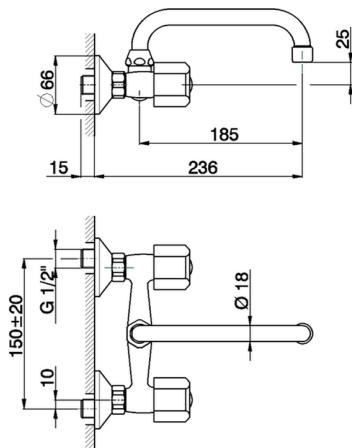
MODEL **TR000410**

Exposed sink mixer, swivel spout, without handles

AVAILABLE FINISHINGS



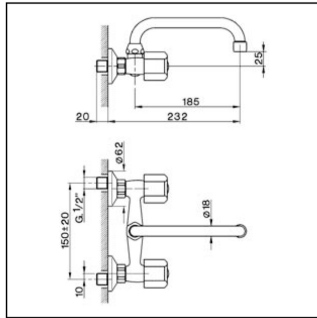
CHARACTERISTICS



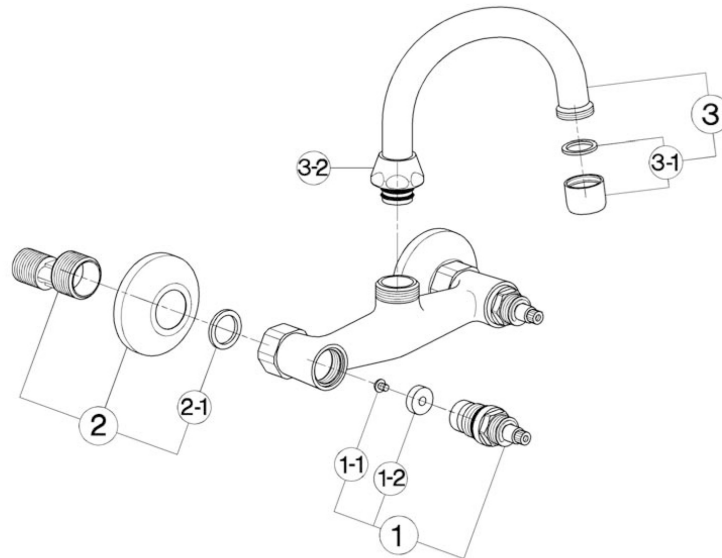
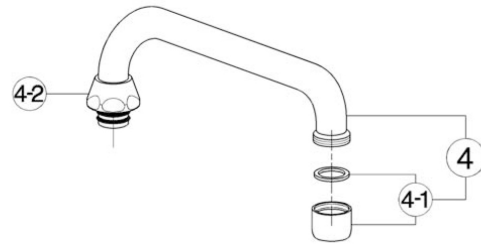
## Exposed sink mixer TR\_TR000410

**cisal**

### TR 00041 (TR 00043)



- Gruppo lavello
- Sink mixer
- Spültisch-Wandbatterie
- Mélangeur évier mural



bar	PORTATA BOCCA DI EROGAZIONE * SPOUT FLOW RATE DURCHFLOSS WÄNNENEINLAUF DEBIT BEC DÉVERSEUR l/min.
0.1	20.5
0.2	27.5
0.3	36
0.4	41.5
0.5	46.5
1	66

\* con rompigetto  
with antispash  
mit Strahlregler  
avec brise-jet

NR.	DESCRIZIONE DESCRIPTION BESCHREIBUNG DESCRIPTION	N. CODICE CODE NO. WERKSNR. NR. CODE	NR.	DESCRIZIONE DESCRIPTION BESCHREIBUNG DESCRIPTION	N. CODICE CODE NO. WERKSNR. NR. CODE	NR.	DESCRIZIONE DESCRIPTION BESCHREIBUNG DESCRIPTION	N. CODICE CODE NO. WERKSNR. NR. CODE
1	Vitone 1/2" "TR" Headvalve 1/2" "TR" Oberteil 1/2" "TR" Tête 1/2" "TR"	ZZ 92869 0	3-1	Rompigetto M.22x1 Antispash M.22x1 Strahlregler M.22x1 Brise-jet M.22x1	ZZ 92771 0			
1-1	Vite M.4x4.5 tb. Ø8 t.cr. Screw M.4x4.5 Schraube M.4x4.5 Vis M.4x4.5	ZZ 92625 0	3-2	Calotta 3/4" es.29 Ø19.5 Nut 3/4" Ø19.5 Mutter 3/4" Ø19.5 Ecrrou 3/4" Ø19.5	ZZ 92615 0			
1-2	Guarnizione NBR 90 SH. 16.9x5.5x5 Gasket NBR 90 SH. 16.9x5.5x5 Dichtung NBR 90 SH. 16.9x5.5x5 Joint NBR 90 SH. 16.9x5.5x5	ZZ 92699 0	4	Canna a U Ø18 interasse 185 Swinging spout 185 Ø18 Auslauf-Rohr-U-185 Ø18 Bec orientable 185 Ø18	ZZ 92736 0			
2	Eccentrico con rosone Excentric connection with escutcheon S - Anschluss m. Rosette Excentrique + rosace	ZZ 92730 0		Rompigetto M.22x1 Antispash M.22x1 Strahlregler M.22x1 Brise-jet M.22x1	ZZ 92771 0			
2-1	Guarnizione NBR 90 SH. 24x16x2.7 Gasket NBR 90 SH. 24x16x2.7 Dichtung NBR 90 SH. 24x16x2.7 Joint NBR 90 SH. 24x16x2.7	ZZ 92689 0	4-2	Calotta 3/4" es.29 Ø19.5 Nut 3/4" Ø19.5 Mutter 3/4" Ø19.5 Ecrrou 3/4" Ø19.5	ZZ 92615 0			
3	Canna alta Ø18 interasse 155 Swinging spout 155 Ø18 Auslauf-Rohr-U-155 Ø18 Bec orientable 155 Ø18	ZZ 92737 0						

TR000410

<https://en.cisal.it/exposed-sink-mixer-tr-tr000410>

2026-05-01