




## Thermostatic shower mixer with sliding bar WAVE\_WES01010

MODEL **WES01010**

Thermostatic shower mixer with sliding bar, 70 cm sliding rail bar with sliding bracket, 35x15 mm Brass minimalistic one spray handshower, 150 cm SUPREME smooth flexible hose

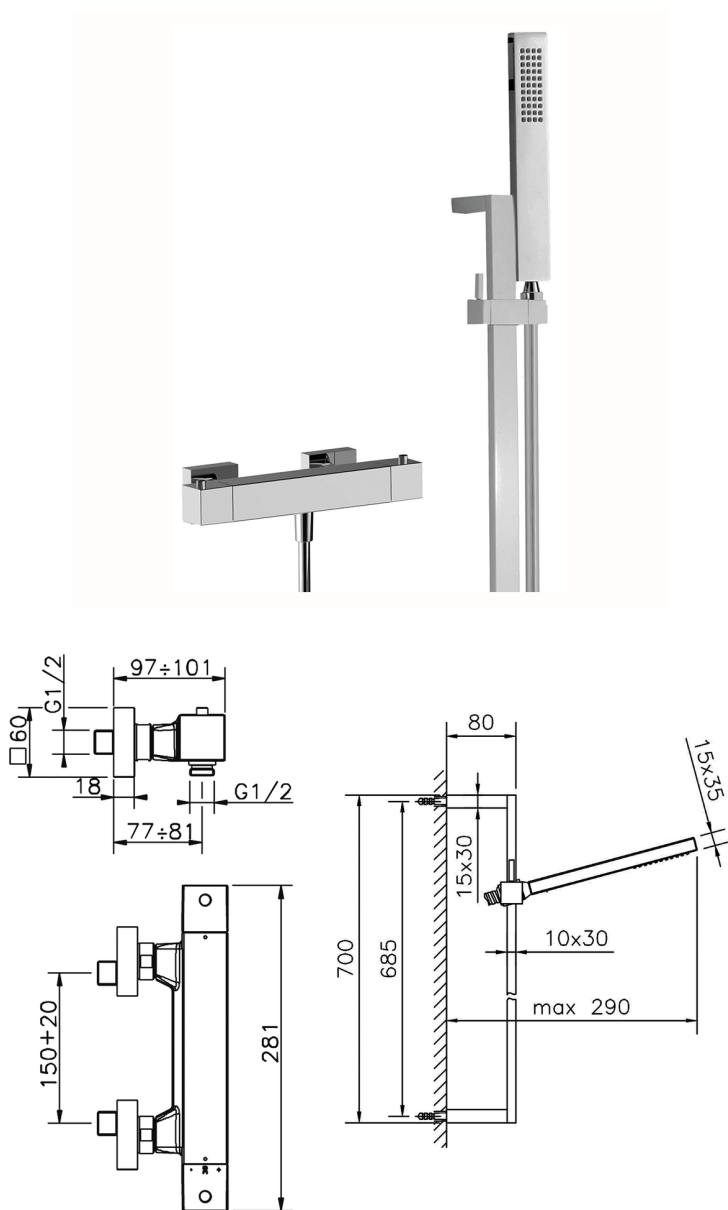
### AVAILABLE FINISHINGS

-  **21** 21 Chrome
-  **2F** 2F Brushed Nickel
-  **2Q** 2Q Black Titanium

### CHARACTERISTICS

Cartridge Spare Parts **22.04A.AR - ZZ97279004**

**Argo 2 (long filter) Thermostatic Valve**



#### SafeTouch

The Cisal SafeTouch system maintains the mixer body cool to the touch during operation.



#### Thermostatic

The Cisal thermostatic is your personal water manager, helping you to handle, control and save water and energy.



2026-01-12