

## Extension +25 mm COMPONENTS\_ZA008030

MODEL **ZA008030**

Extension 25 mm, for conc. single lever bath-shower mixer art.210, series LS, PU, LM, CU, CE



### AVAILABLE FINISHINGS

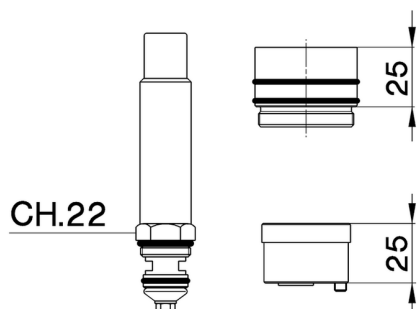


**21** 21 Chrome



**2A** 2A Satin Brushed Nickel

### CHARACTERISTICS



2026-06-13