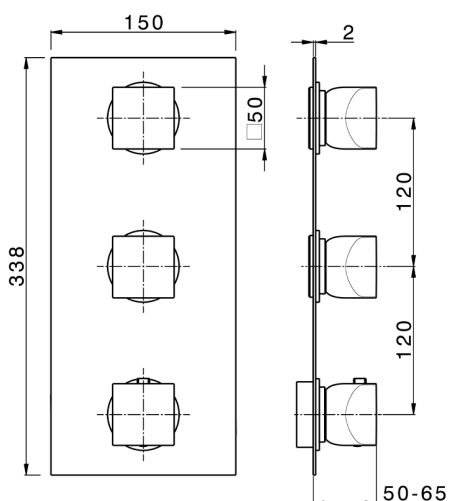
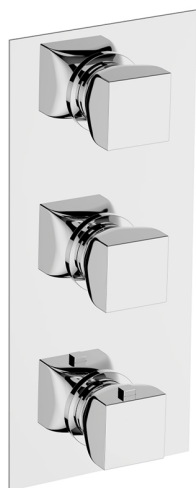


## Cover Part for 2 Function Concealed Thermo Valve WELLNESS\_RI01V200



MODEL **RI01V200**

Cover Part for 2 Function Concealed Thermo Valve, for item ZA01V200

### AVAILABLE FINISHINGS

-  **21** 21 Chrome
-  **6X** 6X Matt White/Brushed Gold
-  **6V** 6V Matt White/Brushed Nickel
-  **5G** 5G Rose Gold
-  **4Q** 4Q Matt White
-  **40** 40 Matt Black
-  **2W** 2W Brushed Gold
-  **2F** 2F Brushed Nickel
-  **24** 24 Gold
-  **7W** 7W Matt Black/Brushed Gold

### CHARACTERISTICS

Installation **Concealed**  
 Required concealed parts **ZA01V200**



### Thermostatic

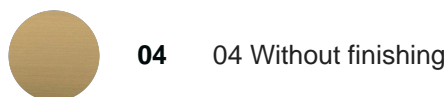
The Cisal thermostatic is your personal water manager, helping you to handle, control and save water and energy.

## 2 Function Concealed Thermostatic Valve CONCEALED\_ZA01V200

MODEL **ZA01V200**

2 Function Concealed Thermostatic Valve

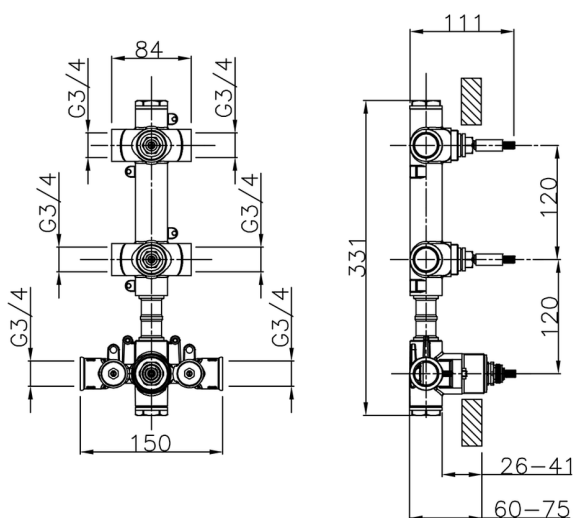
AVAILABLE FINISHINGS



**04** 04 Without finishing

CHARACTERISTICS

Concealed **1**  
 Cartridge Spare Parts **23.51A.HF**  
**HF Thermostatic Valve**



### Thermostatic

The Cisal thermostatic is your personal water manager, helping you to handle, control and save water and energy.



2024-12-26