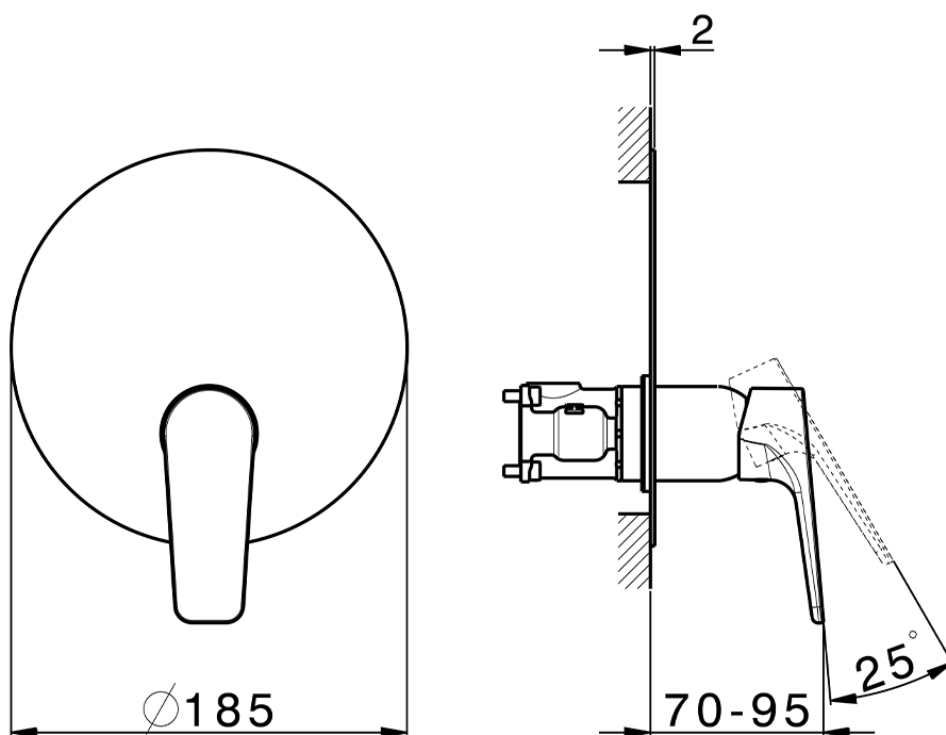


Exposed part for Single Lever One Box Valve ROCK&ROLL_RK0BM010



RK0BM010

<https://en.cisal.it/exposed-part-for-single-lever-one-box-valve-rockroll-rk0bm010>



ZA00B031

<https://en.cisal.it/one-box-universal-concealed-part-one-box-za00b031>



ZA00B030

<https://en.cisal.it/one-box-universal-concealed-part-one-box-za00b030>

2026-05-19