

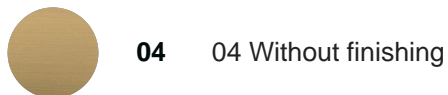
## 1/2 Stopvalve concealed part CONCEALED\_ZA003340

MODEL **ZA003340**

1/2" Stopvalve concealed part, opening counterclockwise

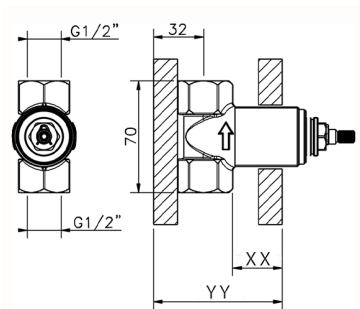


AVAILABLE FINISHINGS



CHARACTERISTICS

Concealed **1**



Piastra/Plate/Plaque/Platte/Placa  
 2-3mm: XX 31-46 YY 80-95  
 10mm: XX 25-40 YY 76-91



2026-04-25