

Exposed part for single lever washbasin valve CUBIC_CU005512

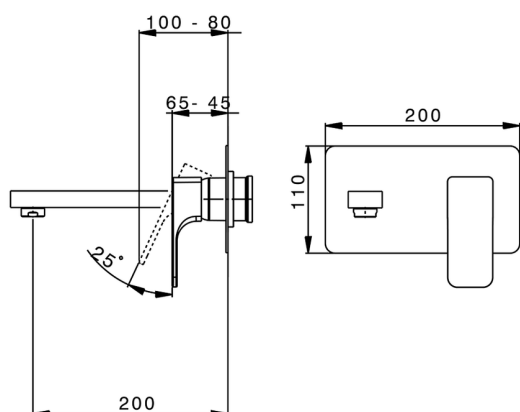
MODEL **CU005512**

Exposed part for single lever washbasin valve, without concealed part, spout L.200 mm, for item Easy-Box ZA002450-ZA025510



AVAILABLE FINISHINGS

-  **21** 21 Chrome
-  **2B** 2B Polished Nickel
-  **2F** 2F Brushed Nickel
-  **40** 40 Matt Black

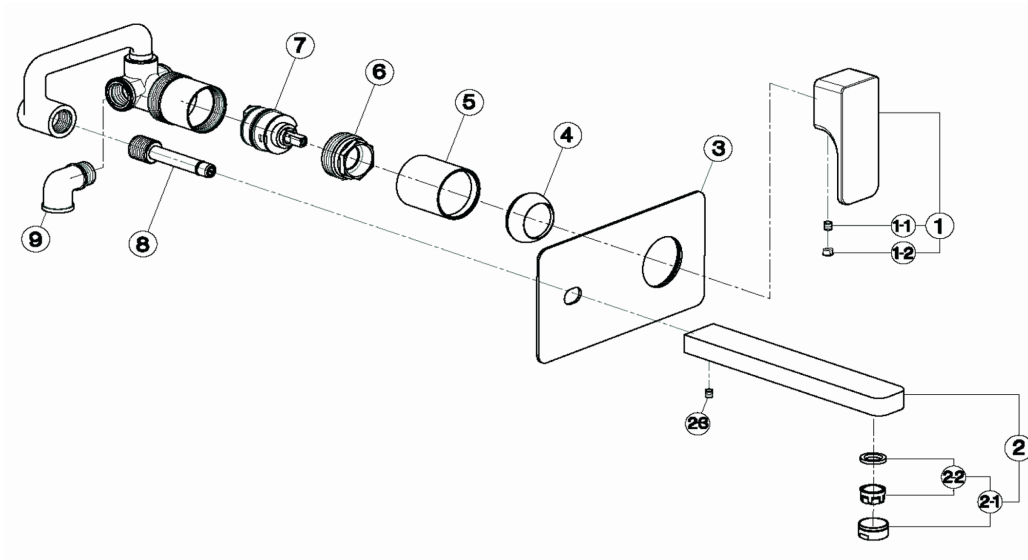


CHARACTERISTICS

Installation **Concealed**
 Required concealed parts **ZA002450**



Exposed part for single lever washbasin valve CUBIC_CU005512



NR.	DESCRIZIONE DESCRIPTION BESCHREIBUNG DESCRIPTION	N. CODICE CODE NO. WERSKNR. NR. CODE	NR.	DESCRIZIONE DESCRIPTION BESCHREIBUNG DESCRIPTION	N. CODICE CODE NO. WERSKNR. NR. CODE	NR.	DESCRIZIONE DESCRIPTION BESCHREIBUNG DESCRIPTION	N. CODICE CODE NO. WERSKNR. NR. CODE
1	Leva monocomando "CU" Lever "CU" Hebel "CU" Lever "CU"	ZZ947840	2-3	Grano punta coppa inox M.6x6 Screw-stainless steel M.6x6 Madenschraube M.6x6 Vis speciale inox M.6x6	ZZ933370	8	Attacco per bocca lavabo incasso Conn. f/built-in washbasin spout Anschluss f. UP Auslauf f. Waschtisch. Raccord pour bec de lavabo à encastrer	ZZ947940
1-1	Grano punta piana inox M.6x6 Screw-stainless steel M.6x6 Madenschraube M.6x6 Vis speciale inox M.6x6	ZZ926450	3	Piastra monocomando lavabo incasso Plate f/built-in single-lever basin mixer Abdeckrossette f. UP WT Einhebelm. Plaque mitigeur lavabo à encastrer	ZZ947980	9	Curveta 90° G. 1/2" XG. 1/2" Connection 90° 1/2" XG 1/2" Winkel 90° G. 1/2" XG 1/2" Coude 90° G. 1/2" XG. 1/2"	ZZ933910
1-2	Placchetta per leva neutra Cap for lever Abdeckkappe f/Hebel Plaque levier	ZZ933470	4	Copricartuccia monocomando Escutcheon cartridge Abdeckkappe Couvre-cartouche	ZZ933510			
2	Bocca di erogazione interasse 200 Bath spout 200 Wanneneinlauf 200 Bec déverseur 200	ZZ947920	5	Canotto copricartuccia monocomando inc Tube f/cartrid. escut. built-in single lever mix Hueelse f.Abdeckkappe UP Einhebelm. Couvre-cartouche mitigeur à encastrer	ZZ933850			
2-1	Aeratore M24x1 IA Mousseur M24x1 IA Perlator M24x1 IA Mousseur M24x1	ZZ928360	6	Calotta bloccaggio cartuccia Nut for mixing valve Mutter f/Kartusche Ecrou pour cartouche	ZZ933530			
2-2	Cartuccia per aeratore M.24x1 Mousseur cartridge M.24x1 Kart. f/Perlator M.24x1 Cartouche x mousseur M.24x1	ZZ926950	7	Cartuccia monocomando Mixing valve Kartusche Cartouche mitigeurs	ZZ931960			

CU005512

<https://en.cisal.it/exposed-part-for-single-lever-washbasin-valve-cubic-cu005512>

2026-04-29