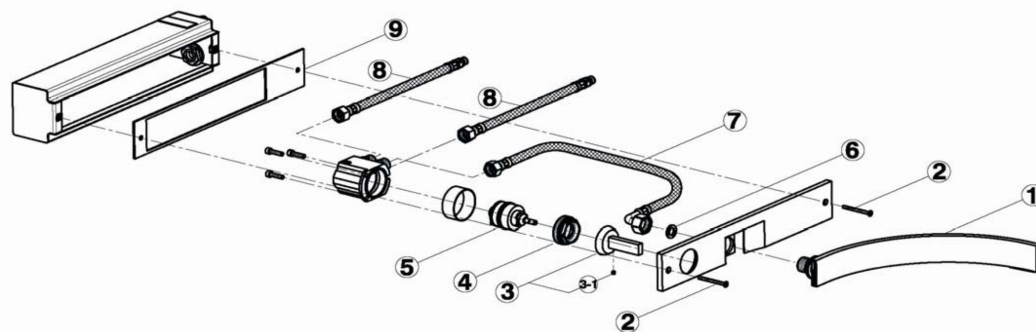
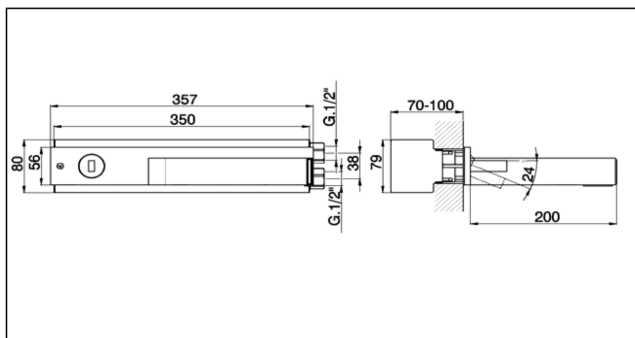


Exposed single lever washbasin mixer WAVE_WA002511

cisal

WA 00251



| NR. | DESCRIZIONE DESCRIPTION BESCHREIBUNG DESCRIPTION | N.CODICE CODE NO. WERSKNR. NR.CODE | NR. | DESCRIZIONE DESCRIPTION BESCHREIBUNG DESCRIPTION | N.CODICE CODE NO. WERSKNR. NR.CODE | NR. | DESCRIZIONE DESCRIPTION BESCHREIBUNG DESCRIPTION | N.CODICE CODE NO. WERSKNR. NR.CODE |
|-----|---|---|-----|---|---|-----|---|---|
| 1 | Bocca di erogazione Bath spout Wanneneinlauf Bec déverseur | ZZ944910 | 6 | Guarnizione fibra 18,5x11x2 Gasket rubber 18,5x11x2 Fiberdichtung 18,5x11x2 Joint en fibre 18,5x11x2 | ZZ927140 | | | |
| 2 | Vite M.4x45 Screw M.4x45 Schraube M.4x45 Vis M.4x45 | ZZ944920 | 7 | Flexibile 350 G.3/8"F x G.1/2"F Flex 350 G.3/8"F x G.1/2"F Anschlusschlauch 350 G.3/8"F x G.1/2"F Flex 350 G.3/8"F x G.1/2"F | ZZ944930 | | | |
| 3 | Leva monocomando "WA" Lever "WA" Hebel "WA" Levier "WA" | ZZ944870 | 8 | Flexibile 270 G.3/8"F x M.11x1M Flex 270 G.3/8"F x M.11x1M Anschlusschlauch 270G.3/8"FxM.11x1M Flex 270 G.3/8"F x M.11x1M | ZZ944940 | | | |
| 3-1 | Grano punta plana inox M.4x4 Screw-stainless steel M.4x4 Madenschraube M.4x4 Vis speciale inox M.4x4 | ZZ933280 | 9 | Guarnizione per piastra Gasket for plate Dichtung fuer Platte Joint pour plaque | ZZ944950 | | | |
| 4 | Calotta bloccaggio cartuccia Nut for mixing valve Mutter f/Kartusche Ecorou pour cartouche | ZZ944880 | | | | | | |
| 5 | Cartuccia monocomando Mixing valve Kartusche Cartouche mitigeurs | ZZ931970 | | | | | | |

WA002511

<https://en.cisal.it/exposed-single-lever-washbasin-mixer-wave-wa002511>

2025-01-05