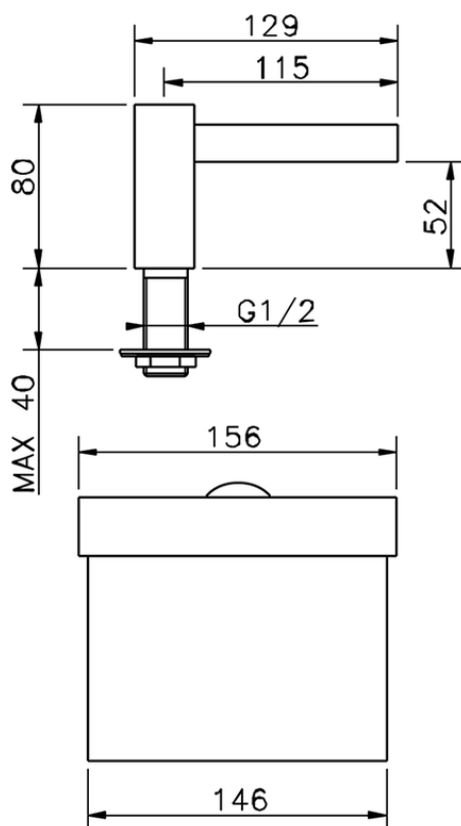


**Spout COMPONENTS\_ZA002620**

ZA002620

<https://en.cisal.it/spout-components-za002620>

2026-04-30