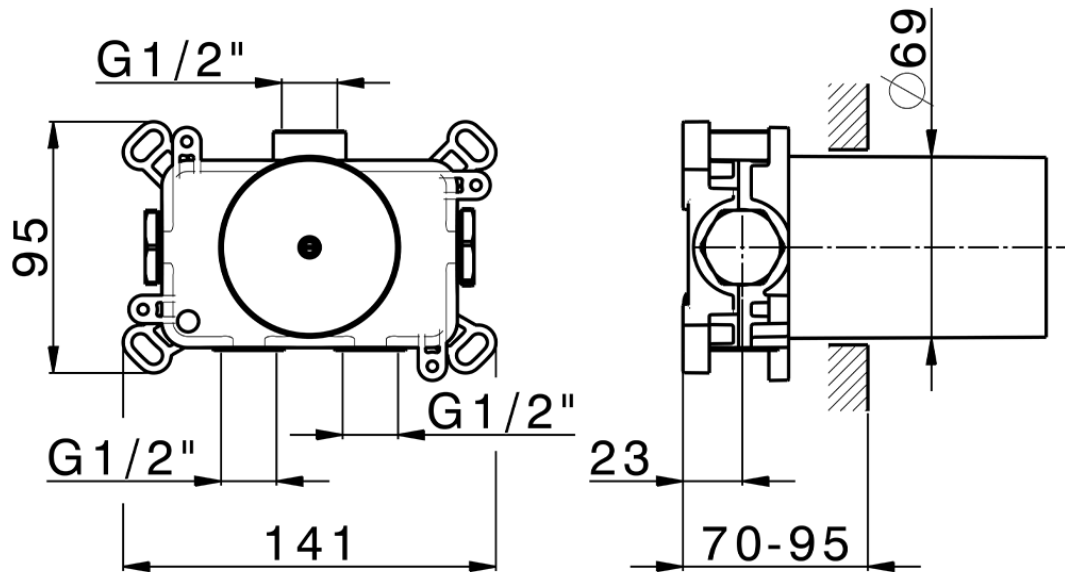


Thermostatic Concealed part PUSH&SHOWER_ZA0G1000



ZA0G1000

<https://en.cisal.it/thermostatic-concealed-part-pushshower-za0g1000>

2026-04-08