

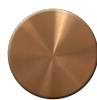



## Exposed part for concealed washbasin mixer **SMOOTH X32\_X4013511**

MODEL **X4013511**

Exposed part for concealed washbasin mixer, without concealed part, for item ZA033510, with smooth handles, Inox AISI 316L

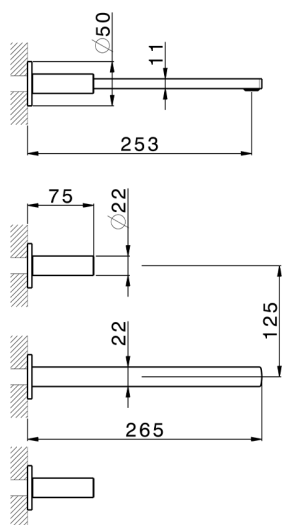
### AVAILABLE FINISHINGS

-  **5H** 5H Dark Brass Brushed
-  **5L** 5L Brushed Black Titanium
-  **5N** 5N Brushed Rose Gold
-  **D1** D1 Brushed Inox

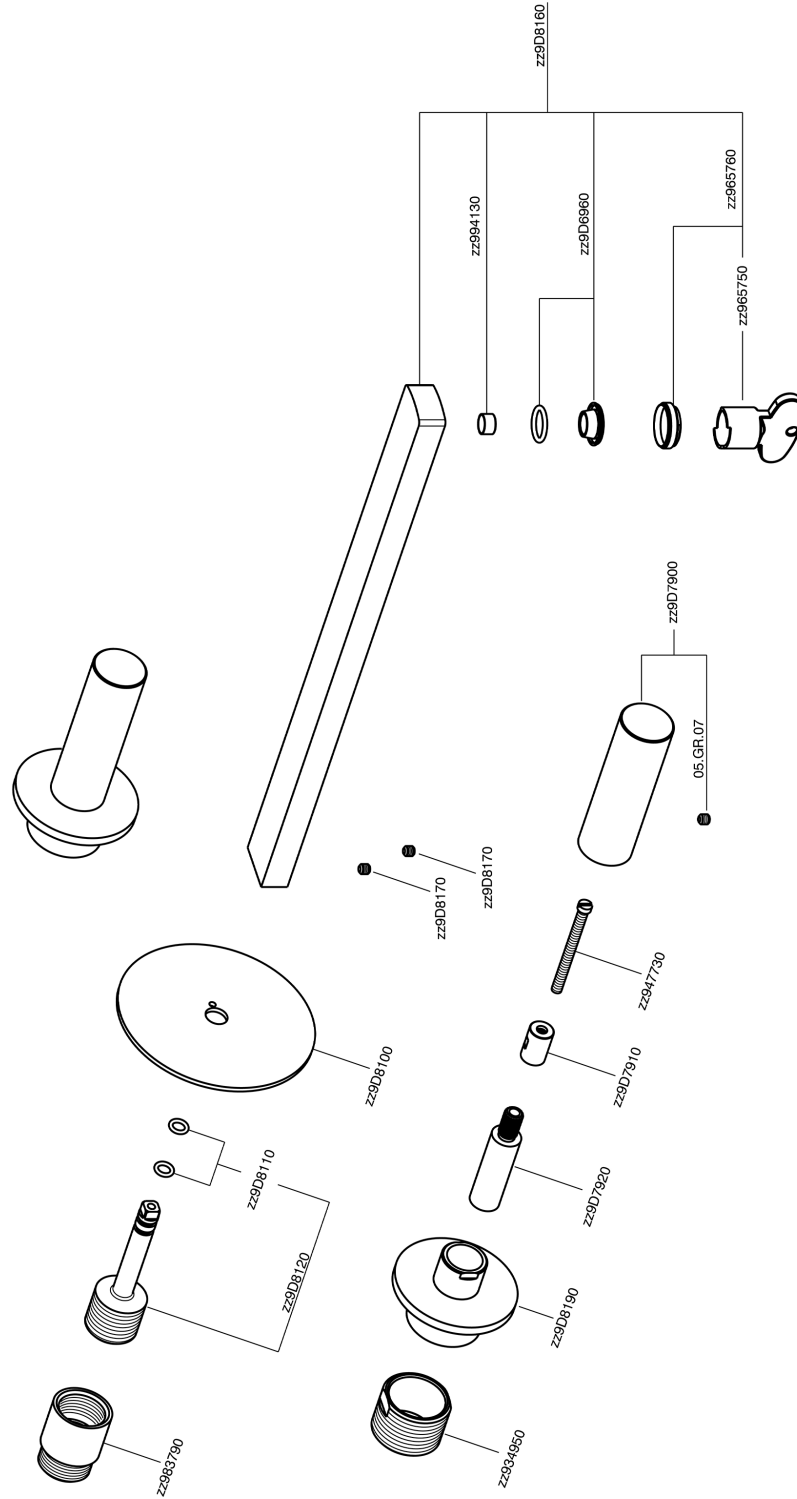
### CHARACTERISTICS

Installation **Concealed**

Required concealed parts **ZA033510**



## Exposed part for concealed washbasin mixer SMOOTH X32\_X4013511



X4013511

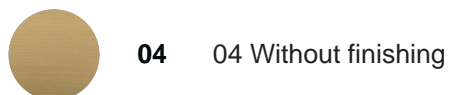
<https://en.cisal.it/exposed-part-for-concealed-washbasin-mixer-smooth-x32-x4013511>

## Concealed washbasin mixer CONCEALED\_ZA033510

MODEL **ZA033510**

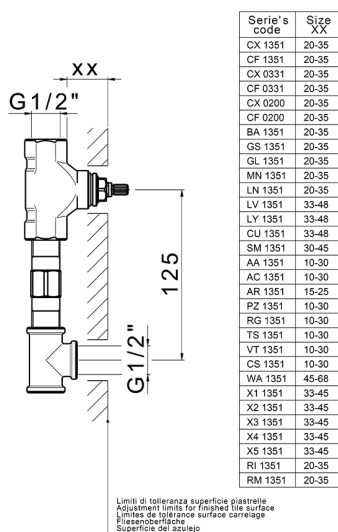
Concealed washbasin mixer, with two right headvalves

AVAILABLE FINISHINGS



CHARACTERISTICS

Concealed **1**



2024-12-22