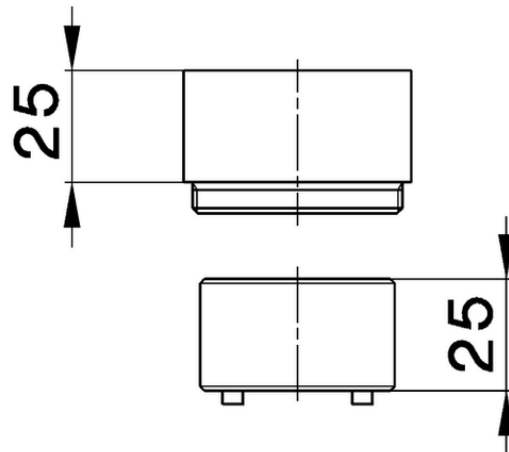


Extension +25 mm COMPONENTS_ZA008060



ZA008060

<https://en.cisal.it/extension-25-mm-components-za008060>

2026-05-20