

3/4 Stopvalve concealed part CONCEALED_ZA003311

MODEL **ZA003311**

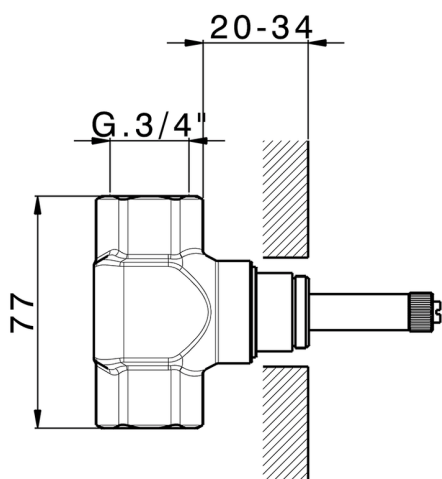
3/4" Stopvalve concealed part, opening clockwise

AVAILABLE FINISHINGS

 **04** 04 Without finishing

CHARACTERISTICS

Concealed **1**



2026-04-04