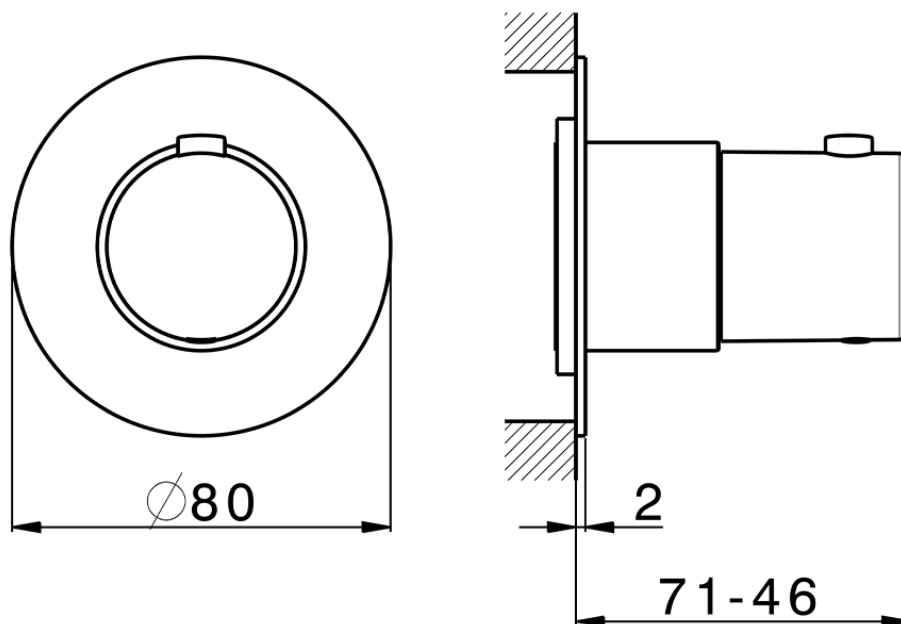


Exposed part for thermostatic concealed valve PUSH&SHOWER_PS1G1010



PS1G1010

<https://en.cisal.it/exposed-part-for-thermostatic-concealed-valve-pushshower-ps1g1010>

2026-06-13