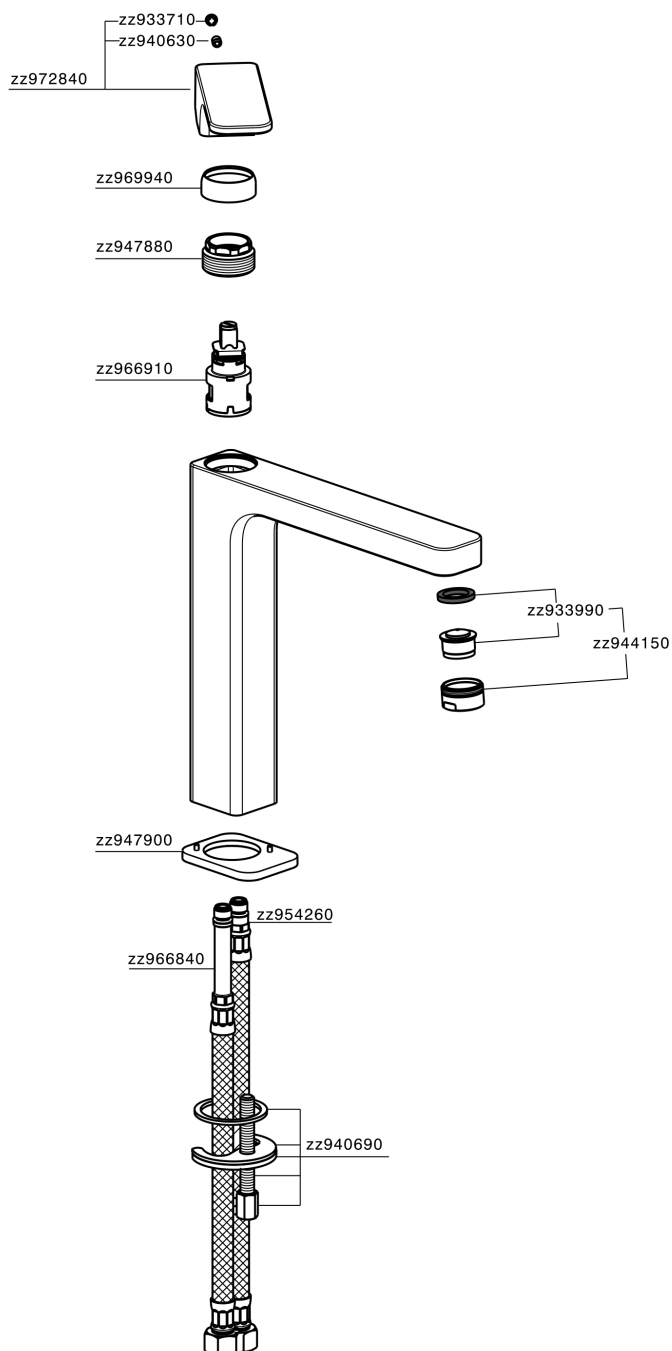


## S.L. basin mixer- tall version - EnergySave CUBIC\_CU003545



CU003545

<https://en.cisal.it/s-l-basin-mixer-tall-version-energysave-cubic-cu003545>

2024-12-22