

## Single lever washbasin mixer ALMA\_A3000510

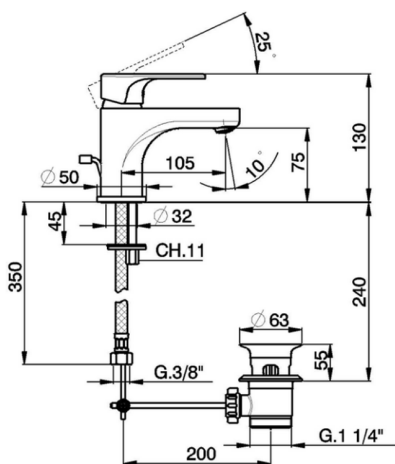


MODEL **A3000510**

Single lever washbasin mixer, with automatic 1"1/4 automatic pop-up waste, G.3/8" stainless steel flexible hoses

### AVAILABLE FINISHINGS

-  **21** 21 Chrome
-  **2F** 2F Brushed Nickel
-  **40** 40 Matt Black



### CHARACTERISTICS

Cartridge Spare Parts **ZZ95435000**

**35 mm Cartridge**

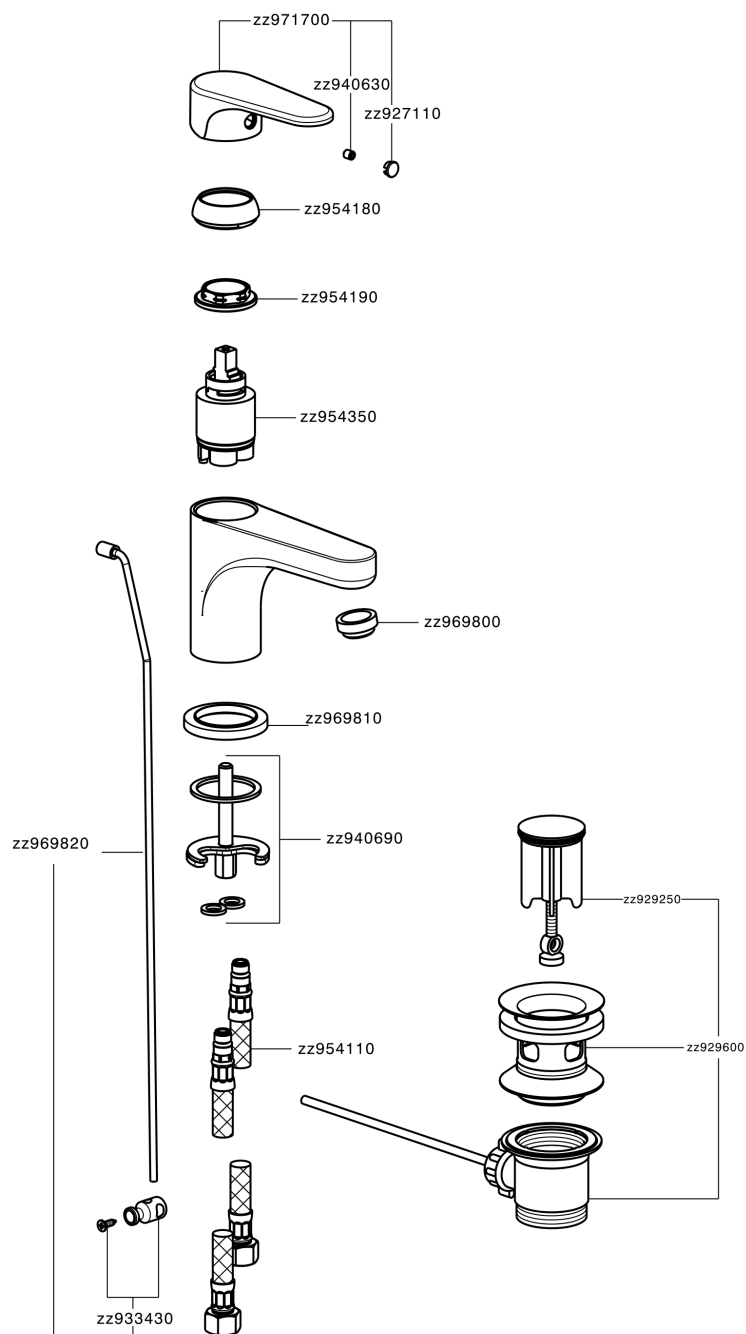


### EcoStop

EcoStop feature limits water flow to approximately 50% of maximum output with one point of resistance on setting. Push slightly past the middle stop only when full water output is required. This will save water up to 50%.



## Single lever washbasin mixer ALMA\_A3000510



A3000510

<https://en.cisal.it/single-lever-washbasin-mixer-alma-a3000510>

2026-04-09