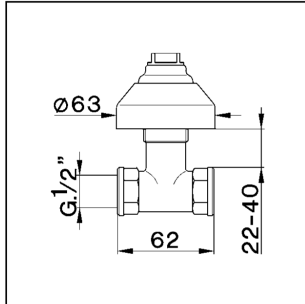


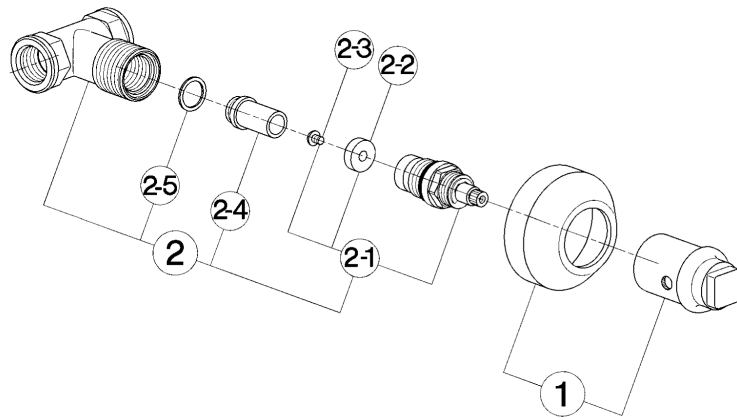
Concealed stop valve COMPONENTS_ZA000310

cisal

ZA 00031



- Rubinetto incasso
- Concealed valve
- Unterputzventil komplett
- Robinet à encastrer



bar	PORTATA * FLOW RATE DURCHFLOSS DEBIT l/min.
0.5	14.5
1	20.5
2	29
3	35.5
4	41
5	46

* senza resistenza silenziosa (uscita libera)
without hydraulic resistance
ohne Widerstand
sans résistance hydraulique

NR.	DESCRIZIONE DESCRIPTION BESCHREIBUNG DESCRIPTION	N. CODICE CODE NO. WERKSNR. NR. CODE	NR.	DESCRIZIONE DESCRIPTION BESCHREIBUNG DESCRIPTION	N. CODICE CODE NO. WERKSNR. NR. CODE	NR.	DESCRIZIONE DESCRIPTION BESCHREIBUNG DESCRIPTION	N. CODICE CODE NO. WERKSNR. NR. CODE
1	Cappuccio 2 pezzi per rubinetto avv. incasso Escutcheon 2 pieces Abdeckkappe Rosace robinet à encastrer	ZZ 90191 0	2-5	Guarnizione alluminio cotto 18x14,2x1 Gasket aluminium 18x14,2x1 Dichtung 18x14,2x1 Joint aluminium 18x14,2x1	ZZ 92667 0			
2	Rubinetto incasso 1/2" Concealed stop cock 1/2" Unterputzventil 1/2" Robinet à encastrer 1/2"	ZZ 92732 0						
2-1	Vitona 1/2" "TR" Headvalve 1/2" "TR" Oberteil 1/2" "TR" Tête 1/2" "TR"	ZZ 92869 0						
2-2	Guarnizione NBR 90 SH. 16,9x5,5x5 Gasket NBR 90 SH. 16,9x5,5x5 Dichtung NBR 90 SH. 16,9x5,5x5 Joint NBR 90 SH. 16,9x5,5x5	ZZ 92699 0						
2-3	Vite M.4x4,5 tb. 08 t.cr. Screw M.4x4,5 Schraube M.4x4,5 Vis M.4x4,5	ZZ 92625 0						
2-4	Setto per rubinetto incasso Seat for concealed stop cock Sitz U/P - Ventil Siège robinet encastrer	ZZ 92611 0						

ZA.1

ZA000310

<https://en.cisal.it/concealed-stop-valve-components-za000310>

2026-06-25