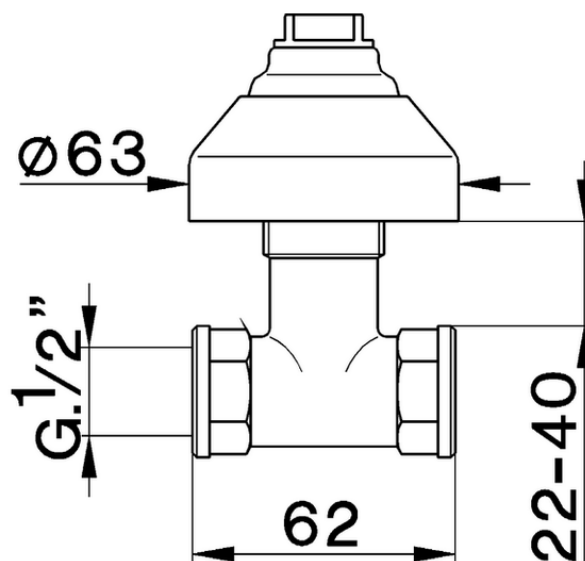


Concealed stop valve COMPONENTS_ZA000310

ZA000310

<https://en.cisal.it/concealed-stop-valve-components-za000310>

2026-06-24