



Concealed rapid flow valve COMPONENTS_ZA002710

MODEL **ZA002710**

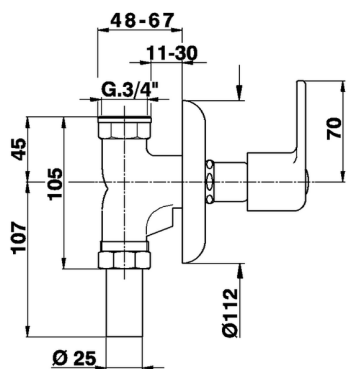
Concealed rapid flow valve, G.3/4" outlet



AVAILABLE FINISHINGS

-  **21** 21 Chrome
-  **24** 24 Gold

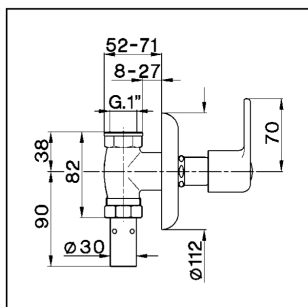
CHARACTERISTICS



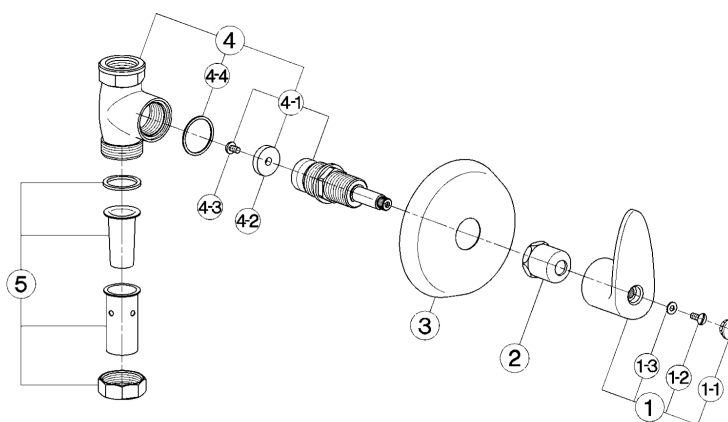
Concealed rapid flow valve COMPONENTS_ZA002710

cisal

ZA 00271



- Rubinetto passo rapido incasso per W.C.
- Concealed rapid flow valve
- WC-Ventil
- Robinet à encastrer pour W.C.



| bar | PORTATA * FLOW RATE DURCHFLOSS DEBIT l/min. |
|-----|---|
| 0,5 | 14 |
| 1 | 20 |
| 2 | 25.5 |
| 3 | 29 |
| 4 | 32.5 |
| 5 | 48 |

* senza resistenza silenziosa (uscita libera)
without hydraulic resistance
ohne Widerstand
sans résistance hydraulique

| NR. | DESCRIZIONE DESCRIPTION BESCHREIBUNG DESCRIPTION | N. CODICE CODE NO. WERKSNR. NR. CODE | NR. | DESCRIZIONE DESCRIPTION BESCHREIBUNG DESCRIPTION | N. CODICE CODE NO. WERKSNR. NR. CODE | NR. | DESCRIZIONE DESCRIPTION BESCHREIBUNG DESCRIPTION | N. CODICE CODE NO. WERKSNR. NR. CODE |
|-----|--|---|-----|--|---|-----|--|---|
| 1 | Leva passo rapido Lever W.C. Hebel - Schnelldurchlauf Levier robinet WC | ZZ 90320 0 | 4 | Rubinetto passo rapido incasso 3/4" Concealed rapid flow 3/4" WC - Ventil 3/4" Robinet W.C. 3/4" | ZZ 92762 0 | 5 | Codulo completo per passo rapido 3/4" Connection for rapid flow 3/4" Verbindungsstück pass. zu WC-Ventil 3/4" Ecrrou pour robinet WC 3/4" | ZZ 92763 0 |
| 1-1 | Piacchetta a scatto per maniglia "F" - "P" Cap for handle "F" - "P" Abdeckkappe l/Griff "F" - "P" Plaque cache - vis crois. "F" - "P" | ZZ 92608 0 | 4 | Rubinetto passo rapido incasso 1" Concealed rapid flow 1" WC - Ventil 1" Robinet W.C. 1" | ZZ 92765 0 | 5 | Codulo completo per passo rapido 1" incasso Connection for rapid flow 1" Verbindungsstück pass. zu WC-Ventil 1" Ecrrou pour robinet WC 1" | ZZ 92764 0 |
| 1-2 | Vite M.4,5x10 tb. tc. zigrinata Screw M.4,5x10 Schraube M.4,5x10 Vis M.4,5x10 | ZZ 92609 0 | 4-1 | Vitome per passo rapido incasso Rapid flow headvalve Oberteil UP-W.C. Ventil Tête robinet W.C. | ZZ 92782 0 | | | |
| 1-3 | Rondella ottone 10x4,5x0,8 Ring in brass 10x4,5x0,8 Unterlegscheibe 10x4,5x0,8 Joint laiton 10x4,5x0,8 | ZZ 92663 0 | 4-2 | Guarnizione NBR 90 SH. 24x6,5x5 Gasket NBR 90 SH. 24x6,5x5 Dichtung NBR 90 SH. 24x6,5x5 Joint NBR 90 SH. 24x6,5x5 | ZZ 92709 0 | | | |
| 2 | Cappuccio coprivitome per passo rapido Escutcheon rapid flow valve Abdeckkappe l/WC-Ventil Rosace couvre-tête WC | ZZ 92631 0 | 4-3 | Vite W 3/16x7,5 tb. Screw W.3/16x7,5 Schraube W3/16"x7,5 Vis W.3/16"x7,5 | ZZ 92621 0 | | | |
| 3 | Rosone per passo rapido Escutcheon rapid flow valve Rosette l/WC-Ventil Rosace - robinet WC "AR" | ZZ 92630 0 | 4-4 | Guarnizione alluminio 32x28,2x1 Gasket aluminium 32x28,2x1 Dichtung 32x28,2x1 Joint aluminium 32x28,2x1 | ZZ 92646 0 | | | |

ZA.4

ZA002710

<https://en.cisal.it/concealed-rapid-flow-valve-components-za002710>

2024-11-23