

## Exposed part for concealed S.L. shower valve ARCANA ROYAL\_AY003000

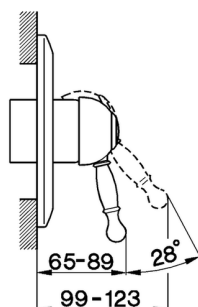
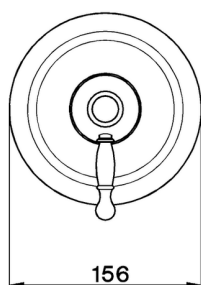
MODEL **AY003000**

Exposed part for concealed S.L. shower valve, without concealed part, for item ZA002300



### AVAILABLE FINISHINGS

-  **21** 21 Chrome
-  **24** 24 Gold
-  **26** 26 Old Copper
-  **27** 27 Old Bronze
-  **2A** 2A Satin Brushed Nickel
-  **74** 74 Chrome/Gold



### CHARACTERISTICS

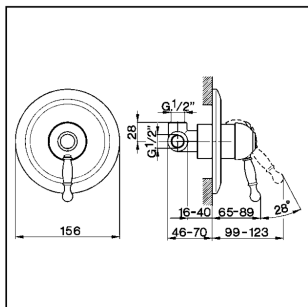
Installation **Concealed**  
 Required concealed parts **ZA002300**



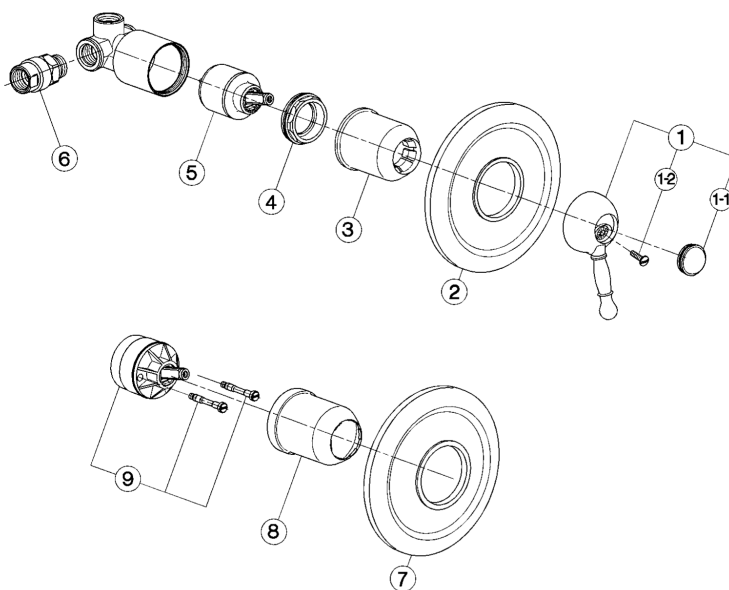
## Exposed part for concealed S.L. shower valve ARCANA ROYAL\_AY003000

# cisal

### AY 00300 (ZA 00230)



- Monocomando doccia incasso
- Single lever shower mixer
- UP-Brausebatterie 1/2"
- Mitigeur douche encastré



bar	PORTATA * FLOW RATE DURCHFLOSS DEBIT l/min.
0.5	6
1	9
2	12
3	14.5
4	16.5
5	18.5

\* con resistenza silenziosa della classe di portata A (15 l/min. a 3 bar)  
with hydraulic resistance of flow rate class A (15 l/min. at 3 bar)  
mit geräuscharmen Widerstand der Durchflussklasse A (15 l/min. bei 3 bar)  
avec aérateur classe A (15 l/min. à 3 bar)

NR.	DESCRIZIONE DESCRIPTION BESCHREIBUNG DESCRIPTION	N. CODICE CODE NO. WERKSNR. NR. CODE	NR.	DESCRIZIONE DESCRIPTION BESCHREIBUNG DESCRIPTION	N. CODICE CODE NO. WERKSNR. NR. CODE	NR.	DESCRIZIONE DESCRIPTION BESCHREIBUNG DESCRIPTION	N. CODICE CODE NO. WERKSNR. NR. CODE
1	Leva monocomando "AY" Lever "AY" Hebel "AY" Lever "AY"	ZZ 90370 0	5	Cartuccia monocomando piccola Mixing valve - small size Kartusche Cartouche mitigeurs	ZZ 92909 0			
1-1	Placchetta per leva "AY" Cap for lever "AY" Abdeckkappe 1/Hebel "AY" Plaquelette levier "AY"	ZZ 93048 0	6	Ricordo silenzioso per monoc. vasca incasso Silencer for conc. single lever bath mixer Schalldämpfer S-Anschluss Raccord silencieux	ZZ 92890 0			
1-2	Vite M.4,5x15 tb. tc. Screw M.4,5x15 Schraube M.4,5x15 Vis M.4,5x15	ZZ 92641 0	7	Plastra monocomando doccia incasso Plate single lever shower mixer Abdeckrossette UP - Brause Plaque - douche à encastrer	ZZ 92805 0			
2	Plastra monocomando doccia incasso Plate single lever shower mixer Abdeckrossette 1/UP Plaque - douche à encastrer	ZZ 92911 0	8	Copricartuccia monocomando incasso Escutcheon concealed mixer Abdeckkappe 1/UP-EHM Couvre-cartouche mitigeur encastré	ZZ 92705 0			
3	Copricartuccia monocomando incasso Escutcheon concealed mixer Abdeckkappe 1/UP-EHM Couvre-cartouche mitigeur encastré	ZZ 92720 0	9	Cartuccia monocomando con viti e adattatore Mixing valve Kartusche Cartouche mitigeurs	ZZ 90746 0			
4	Calotta bloccaggio cartuccia piccola Nut for mixing valve-small Mutter 1/Kartusche Ecrou pour cartouche	ZZ 92603 0						

AY.13

AY003000

<https://en.cisal.it/exposed-part-for-concealed-s-l-shower-valve-arcana-royal-ay003000>

## Concealed single lever shower mixer CONCEALED\_ZA002300

MODEL **ZA002300**

Concealed single lever shower mixer, 1/2" concealed shower, without trim kit

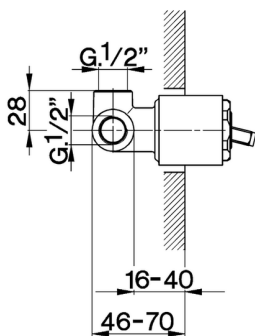


AVAILABLE FINISHINGS



CHARACTERISTICS

Concealed **1**  
 Cartridge Spare Parts **ZZ92909000**  
**43 mm Cartridge**



2026-06-14