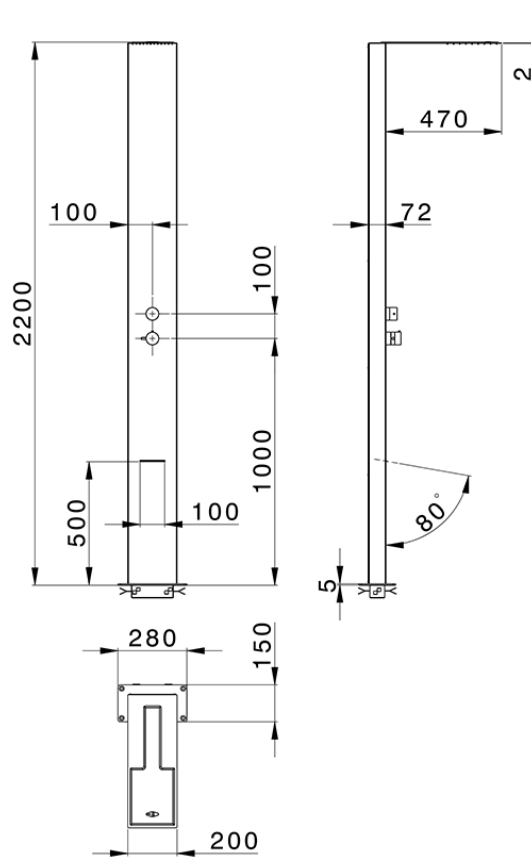


## Free Standing Single Lever Shower Column WELLNESS\_ZS005020



ZS005020

<https://en.cisal.it/free-standing-single-lever-shower-column-wellness-zs005020>

2026-06-13