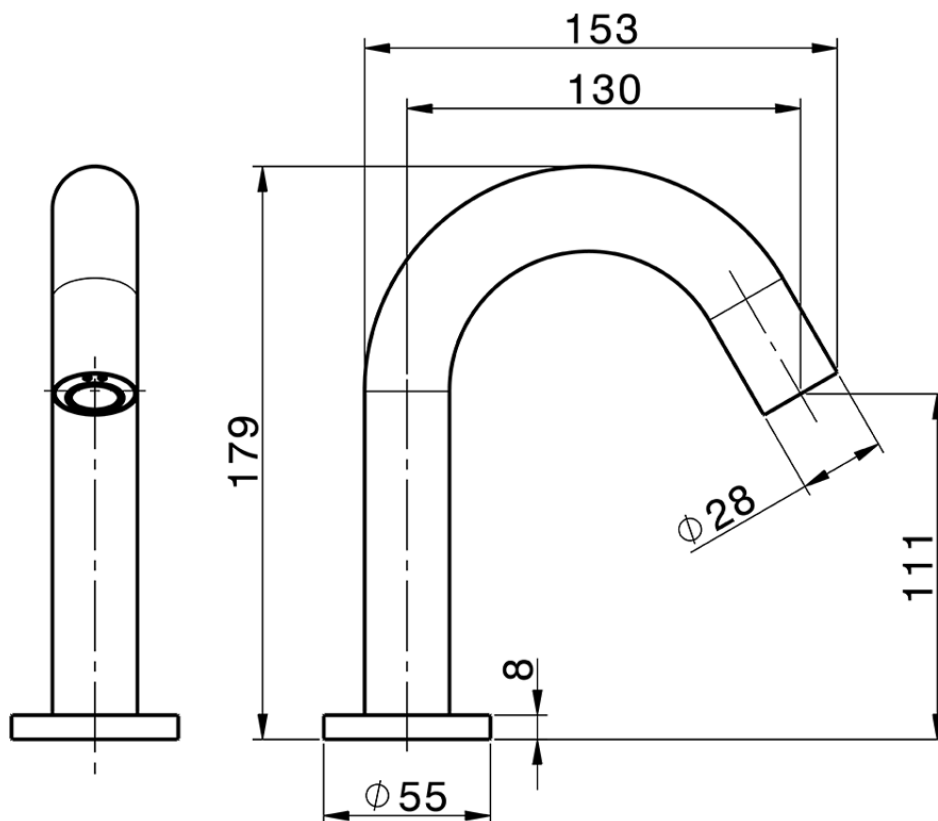


**Electronic pillar tap TRONIC\_TN000910**

TN000910

<https://en.cisal.it/electronic-pillar-tap-tronic-tn000910>

2026-04-08