

Exposed part for concealed S.L.bath-shower valve TENDER_C2002300

MODEL **C2002300**

Exposed part for concealed S.L.bath-shower valve, 2-Way rotating diverter, without concealed part, for items Easy-Box ZA000230

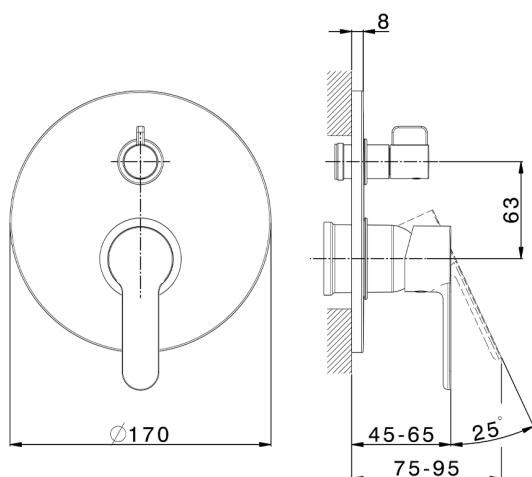
AVAILABLE FINISHINGS



CHARACTERISTICS

Installation **Concealed**

Required concealed parts **ZA000230**



2026-05-17