




## Shower arm with integrated showerhead WAVE\_WA013190

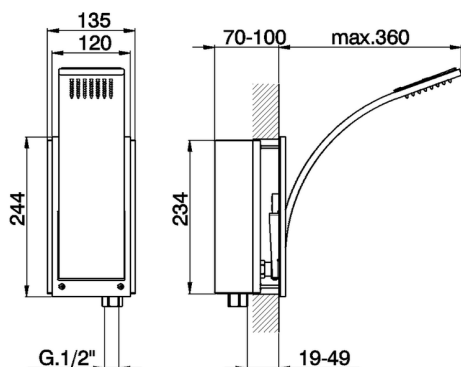
MODEL **WA013190**

Shower arm with integrated showerhead

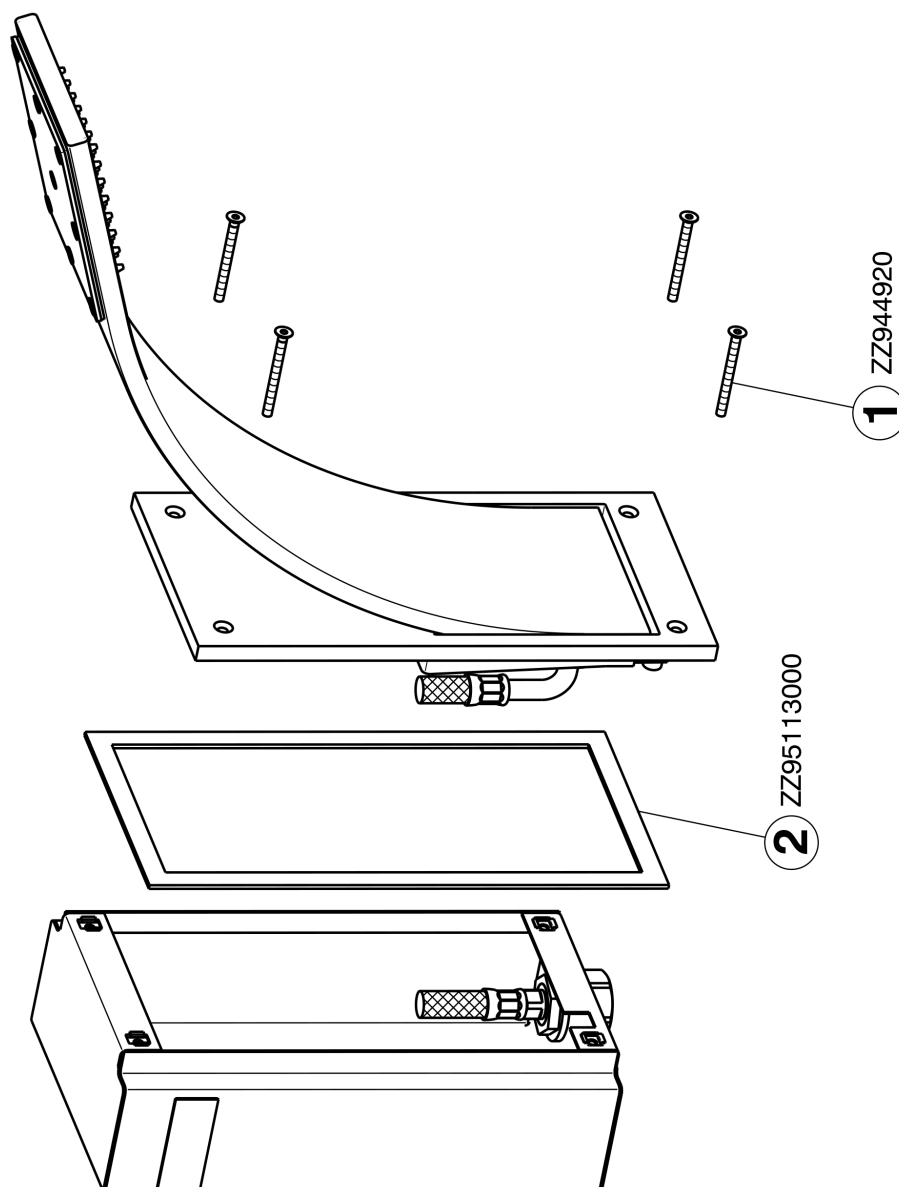
AVAILABLE FINISHINGS

- 
**21** 21 Chrome
- 
**2F** 2F Brushed Nickel
- 
**2Q** 2Q Black Titanium

CHARACTERISTICS



## Shower arm with integrated showerhead WAVE\_WA013190



WA013190

<https://en.cisal.it/shower-arm-with-integrated-showerhead-wave-wa013190>

2026-06-13