




Shower arm with integrated showerhead WAVE_WA013190

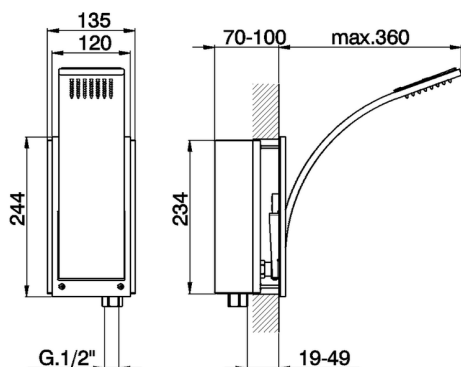
MODEL **WA013190**

Shower arm with integrated showerhead

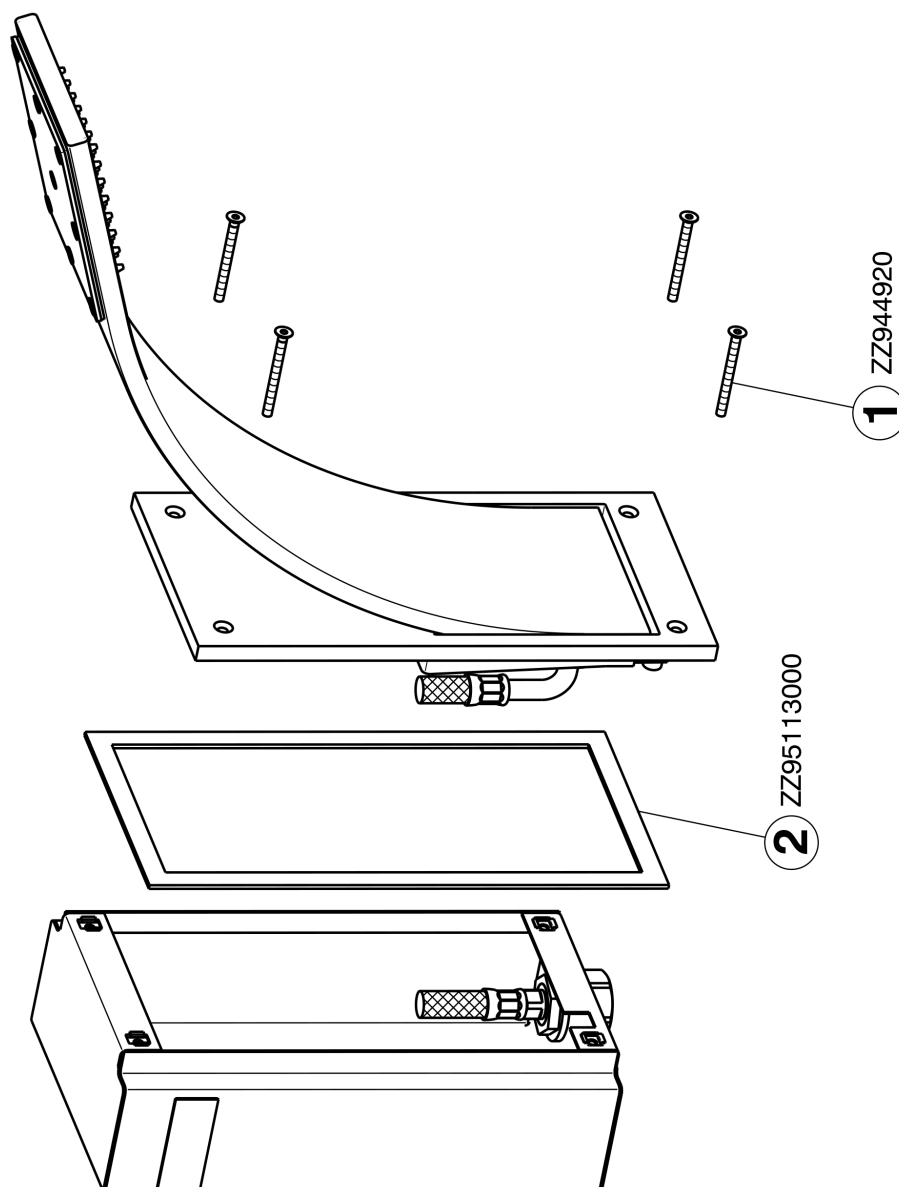
AVAILABLE FINISHINGS

-  **21** 21 Chrome
-  **2F** 2F Brushed Nickel
-  **2Q** 2Q Black Titanium

CHARACTERISTICS



Shower arm with integrated showerhead WAVE_WA013190



WA013190

<https://en.cisal.it/shower-arm-with-integrated-showerhead-wave-wa013190>

2026-04-04