




Shower arm with integrated showerhead WAVE_WA013190

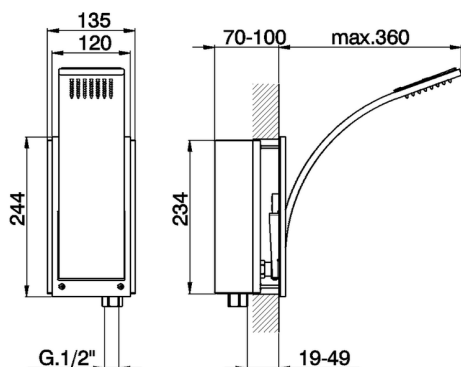
MODEL **WA013190**

Shower arm with integrated showerhead

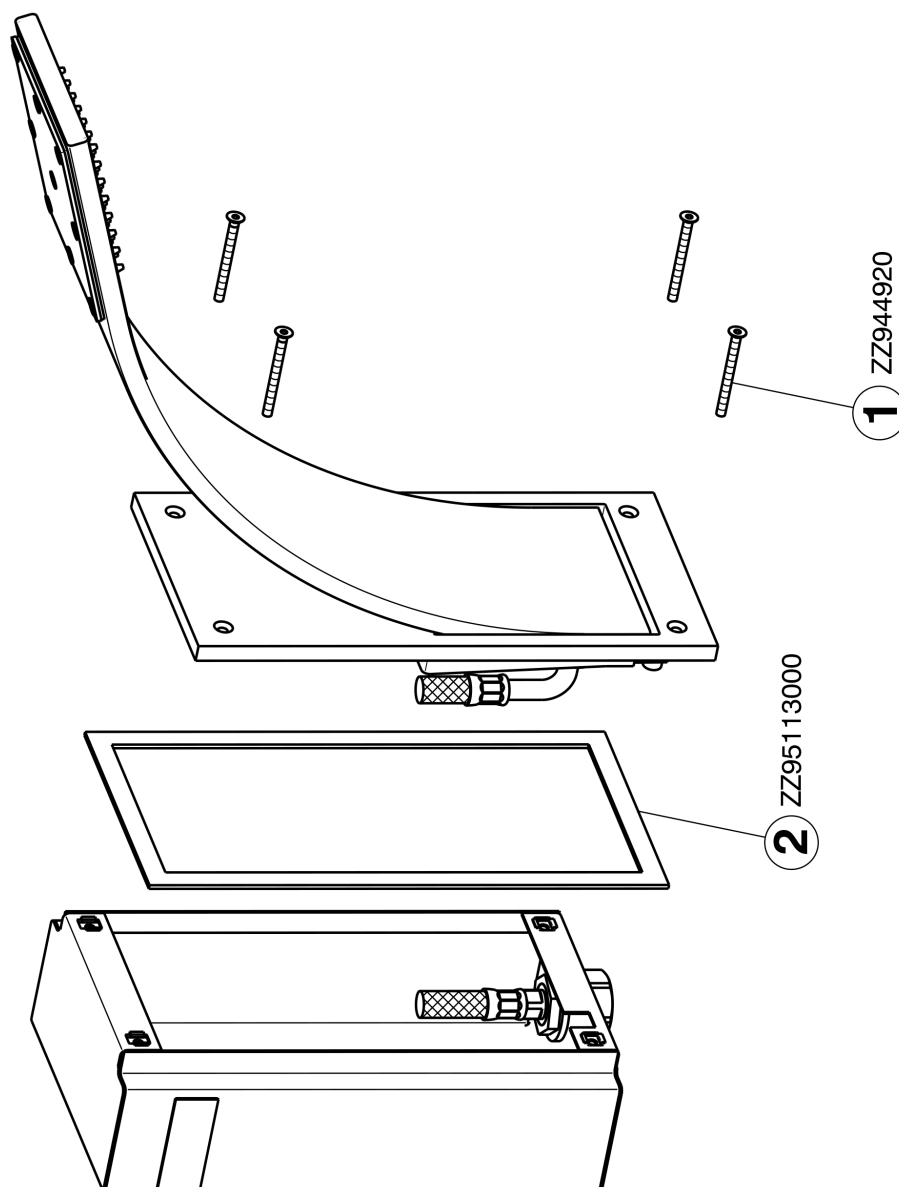
AVAILABLE FINISHINGS

- 
21 21 Chrome
- 
2F 2F Brushed Nickel
- 
2Q 2Q Black Titanium

CHARACTERISTICS



Shower arm with integrated showerhead WAVE_WA013190



WA013190

<https://en.cisal.it/shower-arm-with-integrated-showerhead-wave-wa013190>

2026-04-06