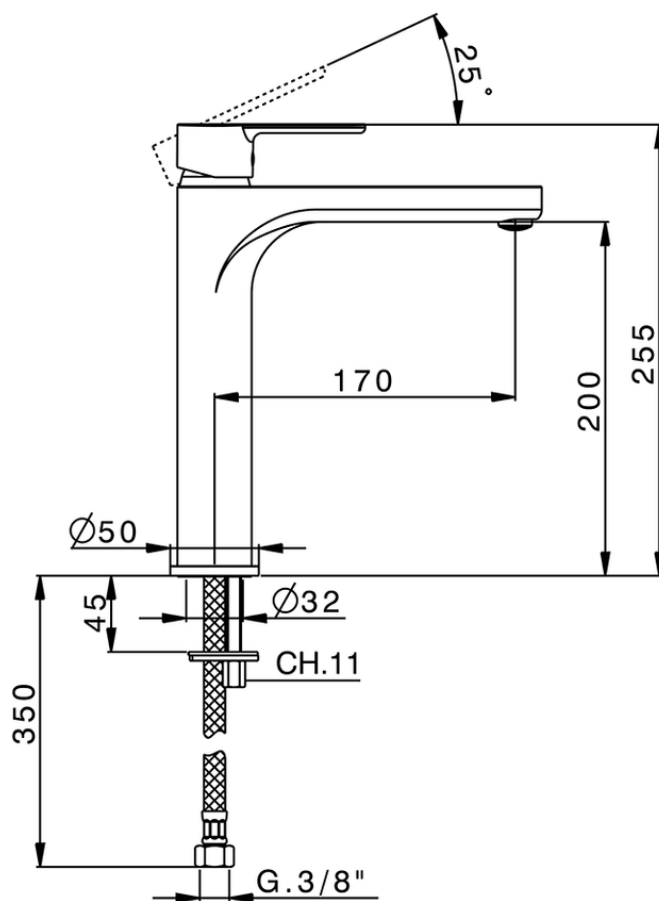


S.L. washbasin mixer- tall version - EnergySave TENDER_C2003545



C2003545

<https://en.cisal.it/s-l-washbasin-mixer-tall-version-energysave-tender-c2003545>

2026-04-29