

## Exposed part for Single Lever One Box Valve ONE BOX\_RI0BM030


**MODEL**
**RI0BM030**

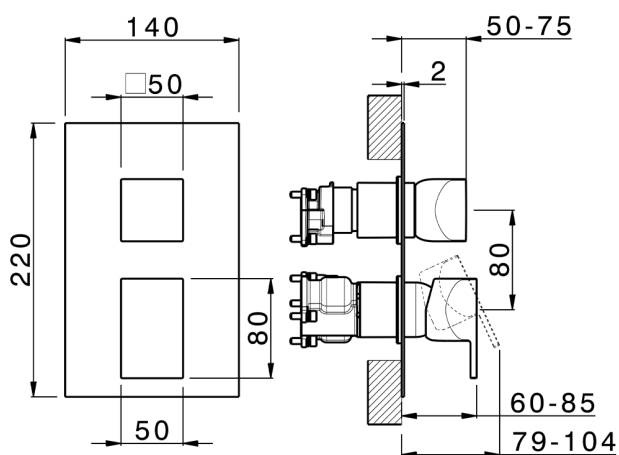
Exposed part for Single Lever One Box Valve, with 2-3 outlet diverter, Minimum depth of installation: 67 mm, without concealed part, for items ZA00B030-ZA00B031

**AVAILABLE FINISHINGS**

- 
**21** 21 Chrome
- 
**6X** 6X Matt White/Brushed Gold
- 
**6V** 6V Matt White/Brushed Nickel
- 
**5G** 5G Rose Gold
- 
**4Q** 4Q Matt White
- 
**40** 40 Matt Black
- 
**2W** 2W Brushed Gold
- 
**2F** 2F Brushed Nickel
- 
**24** 24 Gold
- 
**7W** 7W Matt Black/Brushed Gold

**CHARACTERISTICS**

 Cartridge Spare Parts **ZZ97179000**
**35 mm Cartridge**

 Installation **Concealed**


Required concealed parts **ZA00B031**

**ZA00B030**



## One Box Universal Concealed Part ONE BOX\_ZA00B031

MODEL **ZA00B031**

One Box Universal Concealed Part, for 1, 2 or 3 outlet thermostatic or single lever, without trim kit, with noise reducers, with sealing gasket

AVAILABLE FINISHINGS

 **04** 04 Without finishing

CHARACTERISTICS

Concealed **1**



### Thermostatic

The Cisal thermostatic is your personal water manager, helping you to handle, control and save water and energy.



## One Box Universal Concealed Part ONE BOX\_ZA00B030

MODEL **ZA00B030**

One Box Universal Concealed Part, for 1, 2 or 3 outlet thermostatic or single lever, without trim kit, without noise reducers, with sealing gasket

AVAILABLE FINISHINGS

 **04** 04 Without finishing

CHARACTERISTICS

Concealed **1**



### Thermostatic

The Cisal thermostatic is your personal water manager, helping you to handle, control and save water and energy.



2024-12-22