

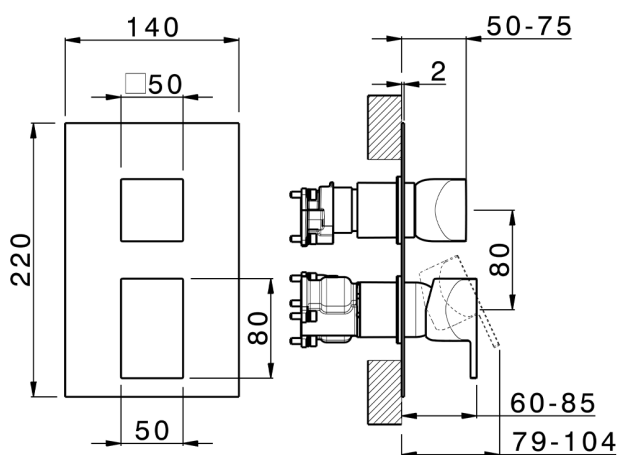
Exposed part for Single Lever One Box Valve ONE BOX_RI0BM030


MODEL
RI0BM030

Exposed part for Single Lever One Box Valve, with 2-3 outlet diverter, Minimum depth of installation: 67 mm, without concealed part, for items ZA00B030-ZA00B031

AVAILABLE FINISHINGS

- 
21 21 Chrome
- 
24 24 Gold
- 
2F 2F Brushed Nickel
- 
2W 2W Brushed Gold
- 
40 40 Matt Black
- 
4Q 4Q Matt White
- 
5G 5G Rose Gold
- 
6V 6V Matt White/Brushed Nickel
- 
6X 6X Matt White/Brushed Gold
- 
7W 7W Matt Black/Brushed Gold



CHARACTERISTICS

 Cartridge Spare Parts **ZZ97179000**
35 mm Cartridge

 Installation **Concealed**

Required concealed parts **ZA00B031**

ZA00B030



One Box Universal Concealed Part ONE BOX_ZA00B031

MODEL **ZA00B031**

One Box Universal Concealed Part, for 1, 2 or 3 outlet thermostatic or single lever, without trim kit, with noise reducers, with sealing gasket

AVAILABLE FINISHINGS

 **04** 04 Without finishing

CHARACTERISTICS

Concealed **1**



Thermostatic

The Cisal thermostatic is your personal water manager, helping you to handle, control and save water and energy.



One Box Universal Concealed Part ONE BOX_ZA00B030

MODEL **ZA00B030**

One Box Universal Concealed Part, for 1, 2 or 3 outlet thermostatic or single lever, without trim kit, without noise reducers, with sealing gasket

AVAILABLE FINISHINGS

 **04** 04 Without finishing

CHARACTERISTICS

Concealed **1**



Thermostatic

The Cisal thermostatic is your personal water manager, helping you to handle, control and save water and energy.



2026-04-29