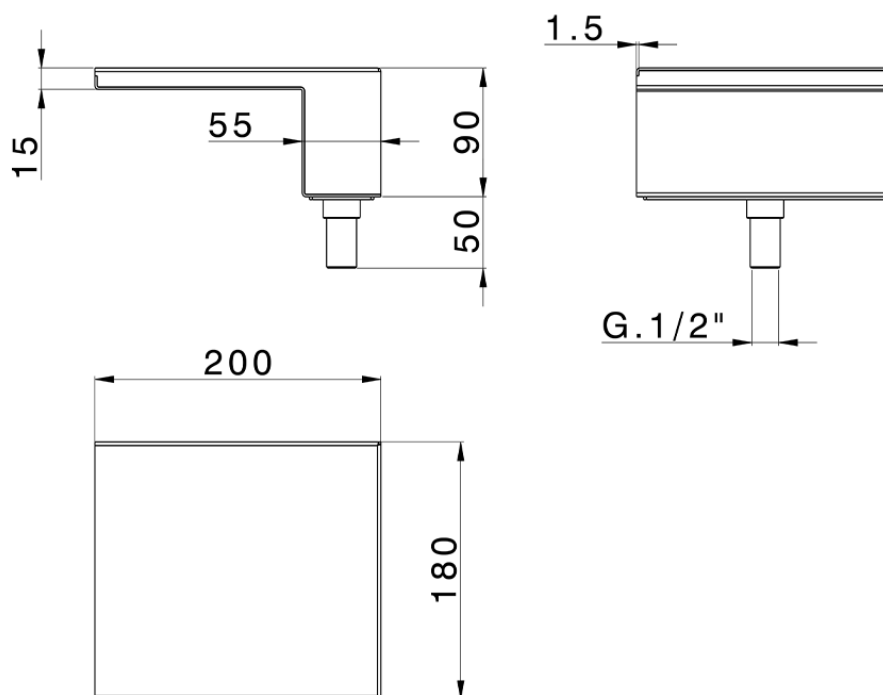


## Deck-mounted waterfall spout COMPONENTS\_ZA002280



ZA002280

<https://en.cisal.it/deck-mounted-waterfall-spout-components-za002280>

2026-04-06