

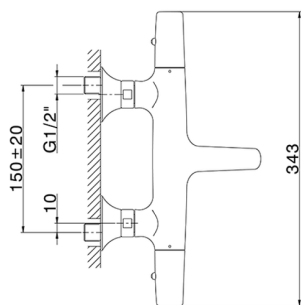
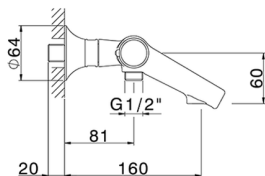
## Thermostatic bath mixer VITA\_VIT21010

MODEL **VIT21010**

Thermostatic bath mixer, without shower set, 1/2" M flexible connection

### AVAILABLE FINISHINGS

-  **21** 21 Chrome
-  **2Q** 2Q Black Titanium
-  **40** 40 Matt Black
-  **4Q** 4Q Matt White



### CHARACTERISTICS

Cartridge Spare Parts **ZZ96551000**

**TMX 25 Thermostatic Valve**



#### DeviaStop

The Cisal Devia Stop technology allows to adjust the water flow and to direct it to the selected output point (overhead soaker, hand shower, etc).



#### SafeTouch

The Cisal SafeTouch system maintains the mixer body cool to the touch during operation.

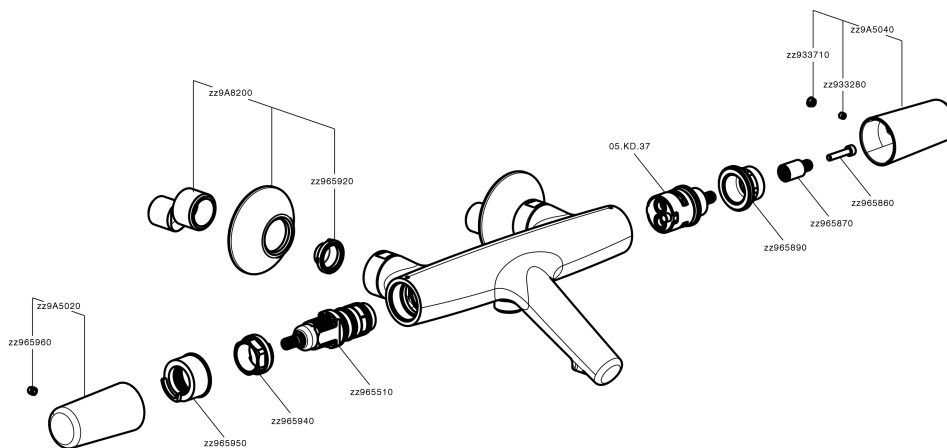


#### Thermostatic

The Cisal thermostatic is your personal water manager, helping you to handle, control and save water and energy.



## Thermostatic bath mixer VITA\_VIT21010



VIT21010

<https://en.cisal.it/thermostatic-bath-mixer-vita-vit21010>

2026-06-14