




## Concealed 4-hole bath/shower valve BARCELONA\_BA000210

MODEL **BA000210**

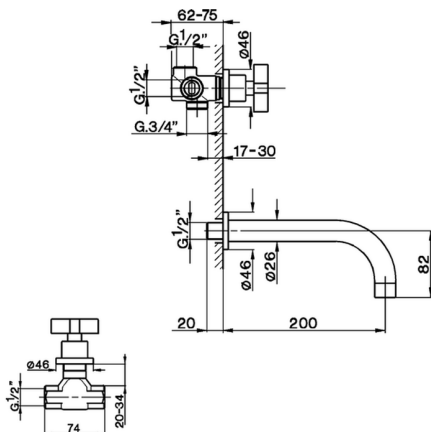
Concealed 4-hole bath/shower valve, with 2 outlet diverter, without automatic pop-up waste



### AVAILABLE FINISHINGS

- 
**21** 21 Chrome
- 
**2A** 2A Satin Brushed Nickel
- 
**40** 40 Matt Black

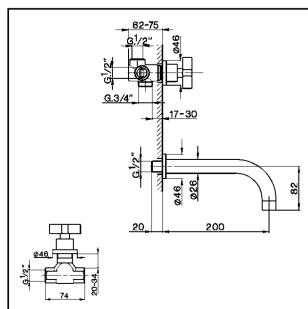
### CHARACTERISTICS



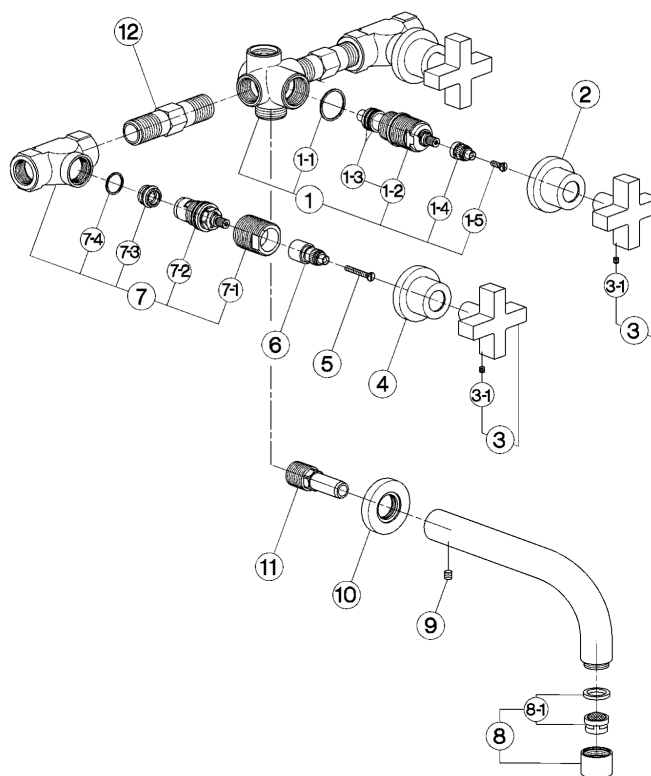
## Concealed 4-hole bath/shower valve BARCELONA\_BA000210

**cisal**

**BA 00021** (BA 00020 - BA 00031 - ZA 00125)



- Gruppo vasca doccia incasso
- Concealed bath-shower mixer
- UP-Wannenfüll-u-Brausebatterie
- Mélangeur bain/douche à encastrer



bar	PORTATA BOCCA DI EROGAZIONE * DURCHFLOß WANNENEINLAUF DÉBIT BEC DÉVERSEUR l/min.
0.5	9.5
1	13.5
2	19.5
3	24
4	28
5	31

\* con resistenza silenziosa della classe di portata C (30 l/min. a 3 bar)  
with hydraulic resistance of flow rate class C (30 l/min. at 3 bar)  
mit geräuscharmen Widerstand der Durchflussklasse C (30 l/min. bei 3 bar)  
avec aérateur classe C (30 l/min. à 3 bar)

NR.	DESCRIZIONE DESCRIPTION BESCHREIBUNG DESCRIPTION	N. CODICE CODE NO. WERKSNR. NR. CODE	NR.	DESCRIZIONE DESCRIPTION BESCHREIBUNG DESCRIPTION	N. CODICE CODE NO. WERKSNR. NR. CODE	NR.	DESCRIZIONE DESCRIPTION BESCHREIBUNG DESCRIPTION	N. CODICE CODE NO. WERKSNR. NR. CODE
1	Gruppo deviazione incasso "BA" Diverter concealed "BA" UP Körper "BA" Inverseur - B/D "BA"	ZZ 93335 0	4	Cappuccio per batteria lavabo Escutcheon for basin mixer Abdeckkappe - WT Rosace lavabo	ZZ 93333 0	8-1	Cartuccia per aereatore M. 22x1 Cascade Mousseur cartridge M.22x1 Cascade Kart. 1/Perlator M.22x1 Cascade Cartouche x mousseur M.22x1 Cascade	ZZ 93318 0
1-1	Guarnizione fibra 27x24x1 Gasket rubber 27x24x1 Fiberdichtung 27x24x1 Joint en fibre rouge 27x24x1	ZZ 92687 0	5	Vite M.4x30 Screw M.4x30 Schraube M.4x30 Vis M.4x30	ZZ 93334 0	9	Grano punta coppa inox M.6x6 Screw-stainless steel M.6x6 Mädenschraube M.6x6 Vis speciale inox M.6x6	ZZ 93337 0
1-2	Vitone per deviazione incasso "BA" Diverter valve for concealed "BA" mixer Umstelloberteil "BA" Tête pour inverseur "BA"	ZZ 93336 0	6	Prolunga asta vitone Extension for headvalve Verlängerung Rallonge	ZZ 93332 0	10	Rosone per bocca incasso Escutcheon for built-in spout Rosette f. UP Auslauf Rosace pour bec à encastrer	ZZ 93331 0
1-3	O.R. 11 NBR 75 SH. O.R. 11 NBR 75 SH. O.R. 11 NBR 75 SH. O.R. 11 NBR 75 SH.	ZZ 92690 0	7	Rubinetto incasso 1/2" con vitone destro Concealed stop cock 1/2" right headvalve Unterputzventil 1/2" mit Oberteil-rechts- Robinet à encastrer 1/2" tête droite	ZZ 92978 0	11	Attacco per bocca incasso Connection for built-in spout Anschluss f. UP Auslauf Raccord pour bec à encastrer	ZZ 93550 0
1-4	Prolunga asta vitone deviatore Extension for diverter valve Verlängerung Rallonge	ZZ 93497 0	7-1	Riduzione capp. bordo vasca e incasso Reduction for bath escutcheon Reduzierstück Reduction rosace	ZZ 92682 0	12	Raccordo universale per gruppo incasso Connection for concealed mixer Stand-Anschluss Raccord universel	ZZ 92600 0
1-5	Vite M.4x16 Screw M.4x16 Schraube M.4x16 Vis M.4x16	ZZ 93498 0	7-2	Vitone ceramico 1/2" DX 90° Ceramic headvalve 1/2" right 90° Keramikoberteil 1/2" - rechts - 90° Tête céram. 1/2" droite 90°	ZZ 92907 0			
2	Cappuccio per deviatore "BA" Escutcheon for diverter "BA" Abdeckkappe "BA" Rosace inverseur "BA"	ZZ 93338 0	7-3	Sede rubinetto incasso 1/2" Seat 1/2" Sitz 1/2" Siège 1/2"	ZZ 92658 0			
3	Maniglia "BA" per rubinetto incasso Handle "BA" for concealed valve Griff "BA" f. UP Ventili Crosillon "BA" pour robinet à encastrer	ZZ 93290 0	7-4	Guarnizione rame 18,5x16,1x1 Gasket copper 18,5x16,1x1 Kupferdichtung 18,5x16,1x1 Joint cuivre 18,5x16,1x1	ZZ 92656 0			
3-1	Grano punta plana inox M.4x4 Screw-stainless steel M.4x4 Mädenschraube M.4x4 Vis speciale inox M.4x4	ZZ 93328 0	8	Aeratore M.22x1 IC Cascade Mousseur M.22x1 IC Cascade Perlator M.22x1 IC Cascade Mousseur M.22x1 IC Cascade	ZZ 93284 0			

BA.3

BA000210

<https://en.cisal.it/concealed-4-hole-bath-shower-valve-barcelona-ba000210>

2026-06-25