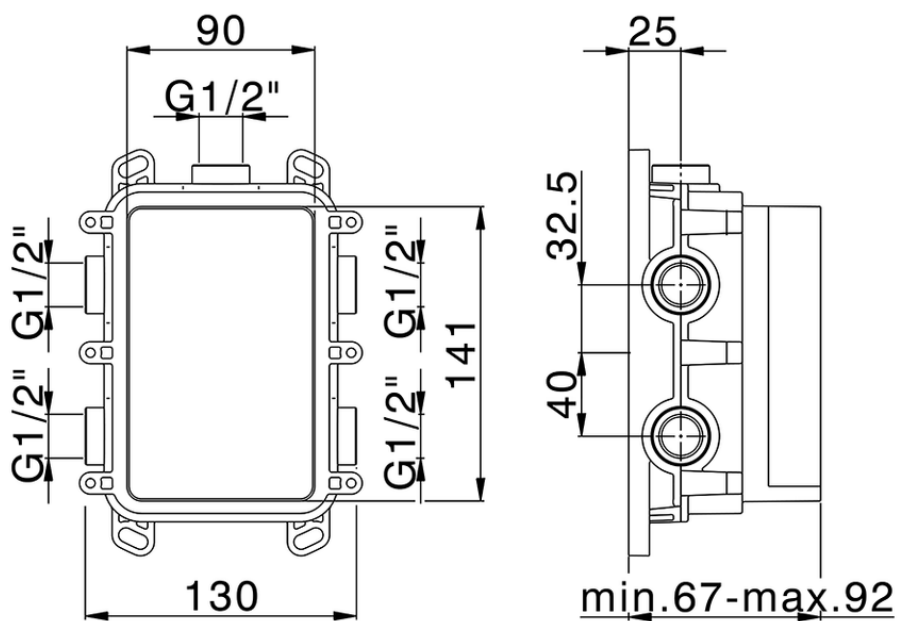


One Box Universal Concealed Part ONE BOX_ZA00B030



ZA00B030

<https://en.cisal.it/one-box-universal-concealed-part-one-box-za00b030>

2026-06-29