



Double towel holder BATHROOM ACCESSORIES_SY090200


MODEL **SY090200**


Double towel holder


AVAILABLE FINISHINGS


- 


21 21 Chrome
- 

2B 2B Polished Nickel
- 

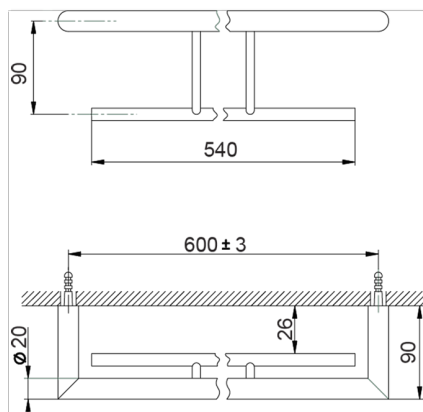
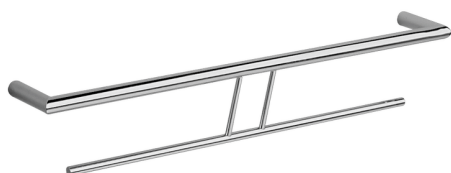
2F 2F Brushed Nickel
- 

2P 2P Rose Gold
- 

2Q 2Q Black Titanium
- 

40 40 Matt Black
- 

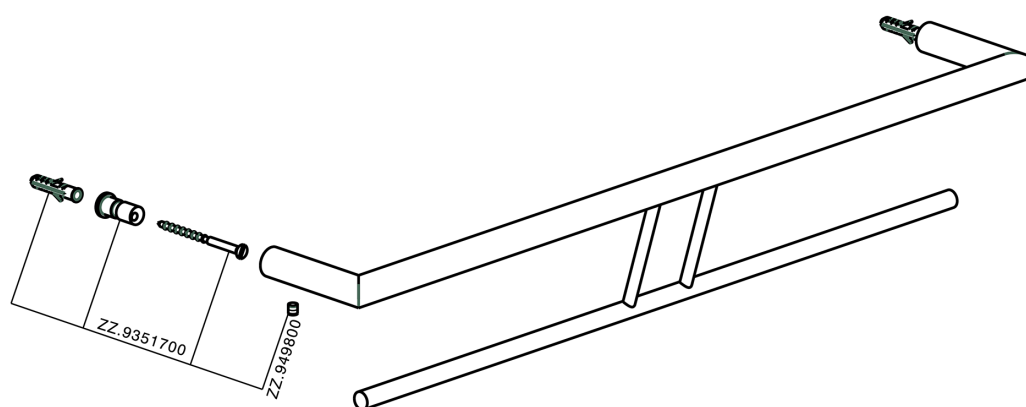
4Q 4Q Matt White



CHARACTERISTICS



Double towel holder BATHROOM ACCESSORIES_SY090200



SY090200

<https://en.cisal.it/double-towel-holder-bathroom-accessories-sy090200>

2026-06-14