

## Exposed part for con.thermo.shower valve, 3-outlet CUBIC\_CU018200

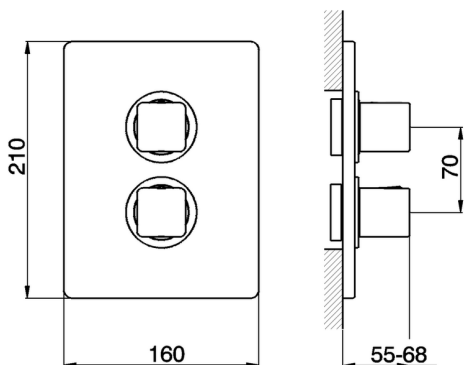


MODEL **CU018200**

Exposed part for con.thermo.shower valve, 3-outlet, with 3 outlet devistop, without concealed part, for item ZA018201

### AVAILABLE FINISHINGS

-  **21** 21 Chrome
-  **2B** 2B Polished Nickel
-  **2F** 2F Brushed Nickel
-  **40** 40 Matt Black



### CHARACTERISTICS

Installation **Concealed**  
 Required concealed parts **ZA018201**

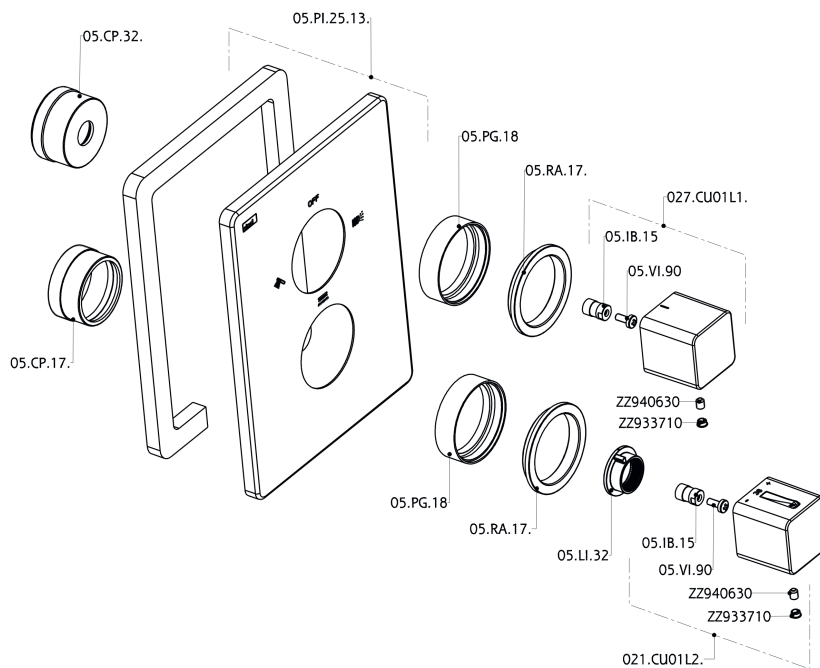


### Thermostatic

The Cisal thermostatic is your personal water manager, helping you to handle, control and save water and energy.



## Exposed part for con.thermo.shower valve, 3-outlet CUBIC\_CU018200



CU018200

<https://en.cisal.it/exposed-part-for-con-thermo-shower-valve-3-outlet-cubic-cu018200>

## Concealed thermostatic shower valve, 3-outlets CONCEALED\_ZA018201

MODEL **ZA018201**

Concealed thermostatic shower valve, 3-outlets, with 1/2" 3 outlet deviastop cartridge, without trim kit

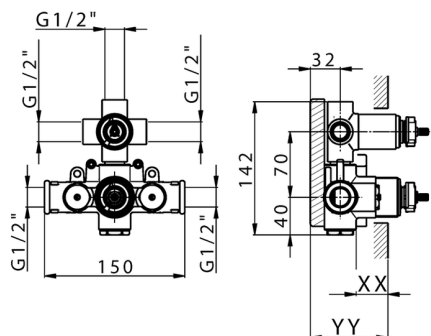


AVAILABLE FINISHINGS



CHARACTERISTICS

Concealed **1**  
 Cartridge Spare Parts **24.04A.PP**  
**8x20 Plus P Thermostatic Valve**



Piastra/Plate/Plaque/Platte/Placa  
 2-3mm: XX 25-40 YY 76-91  
 10 mm: XX 16-31 YY 65-80



### DeviaStop

The Cisal Devia Stop technology allows to adjust the water flow and to direct it to the selected output point (overhead soaker, hand shower, etc).



### Thermostatic

The Cisal thermostatic is your personal water manager, helping you to handle, control and save water and energy.



2026-06-14