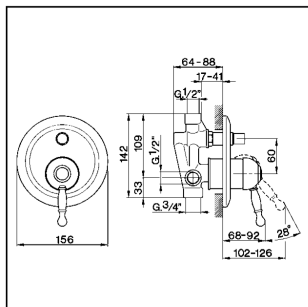


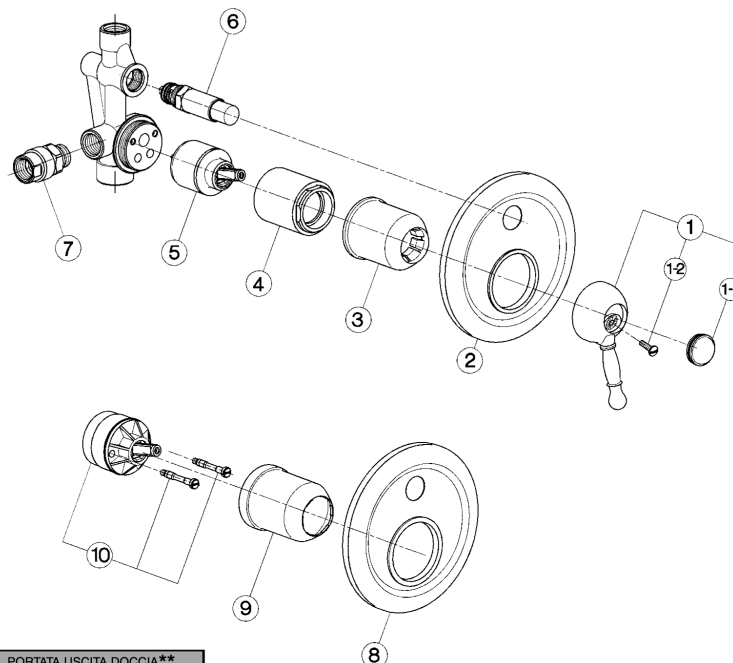
Exposed part for concealed S.L.bath-shower valve ARCANA ROYAL_AY002100

cisal

AY 00210 (ZA 00221)



- Monocomando vasca-doccia incasso
- Single lever bath-shower mixer
- UP-Wannenfüll-u. Brausebatterie 1/2"
- Mitigeur bain/douche encastré



| bar | PORTATA USCITA VASCA * BATH OUTLET FLOW RATE DURCHFLOß WANNE DEBIT BAIGNOIRE l/min. | PORTATA USCITA DOCCIA** SHOWER OUTLET FLOW RATE DURCHFLOß BRAUSE DEBIT DOUCHE l/min. |
|-----|---|--|
| 0,5 | 10 | 5,5 |
| 1 | 13,5 | 7,5 |
| 2 | 19 | 10,5 |
| 3 | 23 | 12,5 |
| 4 | 26,5 | 14,5 |
| 5 | 30 | 16 |

* con resistenza silenziosa della classe di portata C (30 l/min. a 3 bar) / with hydraulic resistance of flow rate class C (30 l/min. at 3 bar)
mit geräuscharmen Widerstand der Durchflussklasse C (30 l/min. bei 3 bar) / avec aérateur classe C (30 l/min. à 3 bar)

** con resistenza silenziosa della classe di portata A (15 l/min. a 3 bar) / with hydraulic resistance of flow rate class A (15 l/min. at 3 bar)
mit geräuscharmen Widerstand der Durchflussklasse A (15 l/min. bei 3 bar) / avec aérateur classe A (15 l/min. à 3 bar)

| NR. | DESCRIZIONE DESCRIPTION BESCHREIBUNG DESCRIPTION | N. CODICE CODE NO. WERKSNR. NR. CODE | NR. | DESCRIZIONE DESCRIPTION BESCHREIBUNG DESCRIPTION | N. CODICE CODE NO. WERKSNR. NR. CODE | NR. | DESCRIZIONE DESCRIPTION BESCHREIBUNG DESCRIPTION | N. CODICE CODE NO. WERKSNR. NR. CODE |
|-----|--|---|-----|--|---|-----|---|---|
| 1 | Leva monocomando "AY" Lever "AY" Hebel "AY" Levier "AY" | ZZ 90370 0 | 5 | Cartuccia monocomando piccola Mixing valve - small size Kartusche Cartouche mitigeurs | ZZ 92909 0 | | | |
| 1-1 | Piacchetta per leva "AY" Cap for lever "AY" Abdeckkappe f/Hebel "AY" Plaquette levier "AY" | ZZ 93048 0 | 6 | Deviazione autom. per monocomando incasso Diverter for single lever mixer Umstellung fuer UP - EHM Inverseur mitigeur B/D | ZZ 92773 0 | | | |
| 1-2 | Vite M.4,5x15 td. tc. Screw M.4,5x15 Schraube M.4,5x15 Vis M.4,5x15 | ZZ 92641 0 | 7 | Raccordo silenziato per monoc.vasca incasso Silencer for conc. single lever bath mixer Schalldämpfer S-Anschluss Raccord silencieux | ZZ 92890 0 | | | |
| 2 | Piastra monocomando incasso dev. automatica Plate single lever mixer Abdeckkassette f/UP Plaque B/D | ZZ 92913 0 | 8 | Piastra monocomando incasso dev. automatica Plate single lever mixer Abdeckkassette f/UP Plaque B/D à encastrer | ZZ 92815 0 | | | |
| 3 | Copricartuccia monocomando incasso Escalichon concealed mixer Abdeckkappe f/UP-EHM Couvre-cartouche mitigeur encastré | ZZ 92720 0 | 9 | Copricartuccia monocomando incasso Escalichon concealed mixer Abdeckkappe f/UP-EHM Couvre-cartouche mitigeur encastré | ZZ 92705 0 | | | |
| 4 | Cannotto bloccaggio cartuccia piccola Tube to fix cartridge Hüelse Bague x cartouche | ZZ 92664 0 | 10 | Cartuccia monocomando con viti e adattatore Mixing valve Kartusche Cartouche mitigeurs | ZZ 90746 0 | | | |

AY.10

AY002100

<https://en.cisal.it/exposed-part-for-concealed-s-l-bath-shower-valve-arcana-royal-ay002100>

Concealed single lever bath-shower valve CONCEALED_ZA002210

ZA002210

<https://en.cisal.it/concealed-single-lever-bath-shower-valve-concealed-za002210>

2026-04-09