




Deck-mounted 4-hole bath mixer BARCELONA_BA000260

MODEL **BA000260**

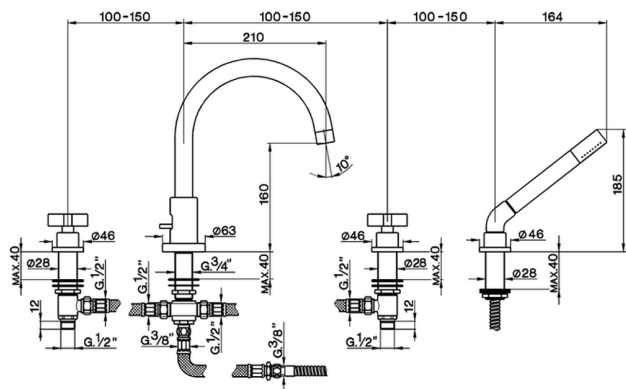
Deck-mounted 4-hole bath mixer, 2 outlet automatic diverter, Brass minimalistic one spray handshower, 175 cm Brass flexible hose



AVAILABLE FINISHINGS

- 
21 21 Chrome
- 
2A 2A Satin Brushed Nickel
- 
40 40 Matt Black

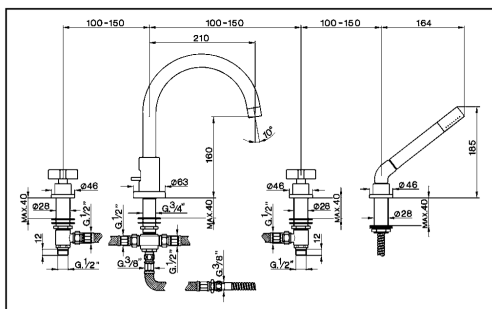
CHARACTERISTICS



Deck-mounted 4-hole bath mixer BARCELONA_BA000260

cisal

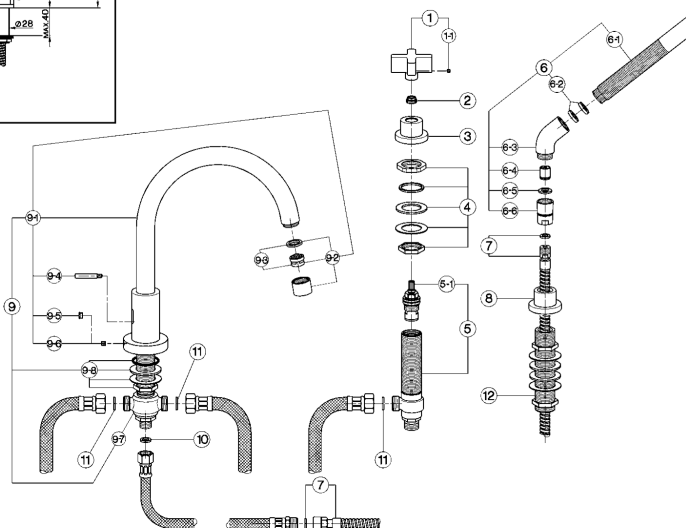
BA 00026 (BA 00025)



- Batteria bordo vasca a 4 fori
- Deck-mounted 4-hole bath mixer
- 4 Loch - Badebatterie
- Mélangeur B/D 4-trous sur gorge

| bar | PORTATA BOCCA DI EROGAZIONE * SPOUT FLOW RATE DURCHFLOSS WANNENEINLAUF DÉBIT BEC DÉVERSEUR l/min. |
|-----|---|
| 0,5 | 10 |
| 1 | 15 |
| 2 | 21 |
| 3 | 25,5 |
| 4 | 30,5 |
| 5 | 32,5 |

* con resistenza silenziosa della classe di portata C (30 l/min. a 3 bar)
with hydraulic resistance of flow rate class C (30 l/min. at 3 bar)
mit geräuscharmen Widerstand der Durchflussklasse C (30 l/min. bei 3 bar)
avec aérateur classe C (30 l/min. à 3 bar)



| NR. | DESCRIZIONE DESCRIPTION BESCHREIBUNG DESCRIPTION | N. CODICE CODE NO. WERKSNR. NR. CODE | NR. | DESCRIZIONE DESCRIPTION BESCHREIBUNG DESCRIPTION | N. CODICE CODE NO. WERKSNR. NR. CODE | NR. | DESCRIZIONE DESCRIPTION BESCHREIBUNG DESCRIPTION | N. CODICE CODE NO. WERKSNR. NR. CODE |
|-----|--|---|-----|--|---|-----|--|---|
| 1 | Maniglia "BA" per monofori Handle "BA" for single hole mixer Griff "BA" f/ Einloch-Batterien Croisillon "BA" pour mélangeur monofou | ZZ 93289 0 | 6-3 | Curvetta doccia batteria vasca Connection for handshower Brausewinkel f/WB Raccord douche s/gorge | ZZ 92601 0 | 9-2 | Aeratore M.22x1 IC Cascade Mousseur M.22x1 IC Cascade Perforator M.22x1 IC Cascade Mousseur M.22x1 IC Cascade | ZZ 93284 0 |
| 1-1 | Grano punta plana inox M.4x4 Screw-stainless steel M.4x4 Madenschraube M.4x4 Vis speciale inox M.4x4 | ZZ 93328 0 | 6-4 | Valvola anti-ritorno Ø15 per doccia Back-flow valve Ø15 Durchflussverhinderer Ø15 Clapet anti-retour Ø15 | ZZ 92956 0 | 9-3 | Cartuccia per aeratore M. 22x1 Cascade Mousseur cartridge M.22x1 Cascade Kart. f/Perforator M.22x1 Cascade Cartouche x mousseur M.22x1 Cascade | ZZ 93318 0 |
| 2 | Riduzione brocciata completa Complete broached reduction piece Verkuerzung Raumwerkzeug komplett Reduction avec brochage complète | ZZ 93330 0 | 6-5 | Guarnizione fibra 18,5x11x2 Gasket rubber 18,5x11x2 Fiberdichtung 18,5x11x2 Joint en fibre 18,5x11x2 | ZZ 92714 0 | 9-4 | Pomolo per deviazione bocca batteria vasca Knob for bath spout Zugknopf Umsteller Pomneau x inverseur | ZZ 93365 0 |
| 3 | Cappuccio per batteria lavabo Escutcheon for basin mixer Abdeckklappe - WT Rosace lavabo | ZZ 93333 0 | 6-6 | Raccordo conico doccia batteria vasca Connection for shower Anschluss Raccord douche s/gorge | ZZ 92680 0 | 9-5 | Placchetta per leva neutra Cap for lever Abdeckklappe f/Hebel Plaquelette levier | ZZ 92711 0 |
| 4 | Set installazione batteria lavabo Installation set basin mixer Belegungsset Set installation | ZZ 93348 0 | 7 | Flessibile 175 cm Ø14 3/8" x M.15x1 Flex 175 cm Ø14 3/8" x M.15x1 Brauseschlauch 175 cm Ø14 3/8" x M.15x1 Flex 175 cm Ø14 3/8" x M.15x1 | ZZ 92757 0 | 9-6 | Grano punta plana inox M.6x6 Screw-stainless steel M.6x6 Madenschraube M.6x6 Vis speciale inox M.6x6 | ZZ 92645 0 |
| 5 | Piantana Vitone DX Tail piece-basin mixer right Unterteil WT m/Oberteil rechts Corp lat. lev. tête droite | ZZ 92888 0 | 8 | Cappuccio supporto doccia batteria vasca Escutcheon shower Abdeckklappe Rosace douche | ZZ 93367 0 | 9-7 | Crociera bocca batteria bordo vasca completa Cross connection for bath mixer Verbindungsstück pass. zu SU/AR/AC 26 Raccord a croix pour bec sur gorge | ZZ 92914 0 |
| 5-1 | Vitone ceramico 1/2" DX 90° Ceramic headvalve 1/2" right 90° Keramikoberteil 1/2" - rechts - 90° Tête céram. 1/2" droite 90° | ZZ 92907 0 | 9 | Bocca batteria vasca con deviazione Spout bath mixer with diverter Auslauf-WB - mit Umstellung Bec bain/douche avec inverseur | ZZ 93361 0 | 9-8 | Set installazione bocca batteria bordo vasca Installation set for deck-mounted spout Belegungsset Set installation | ZZ 93366 0 |
| 6 | Doccia minimale per batteria vasca Handshower minimal for bath mixer Handbrause minimal f/Badebatterie Douchette minimal sur gorge | ZZ 93368 0 | 9 | Bocca batteria vasca senza deviazione Spout bath mixer without diverter Auslauf-WB - ohne Umstellung Bec bain/douche sans inverseur | ZZ 93362 0 | 10 | Guarnizione fibra 3/8" Gasket rubber 3/8" Fiberdichtung 3/8" Joint en fibre 3/8" | ZZ 92696 0 |
| 6-1 | Doccia minimale Minimal handshower Handbrause minimal Douchette minimal | DS 01409 0 | 9-1 | Bocca con deviazione Spout with diverter Auslauf mit Umstellung Bec avec inverseur | ZZ 93364 0 | 11 | Guarnizione fibra 18,5x11x2 Gasket rubber 18,5x11x2 Fiberdichtung 18,5x11x2 Joint en fibre 18,5x11x2 | ZZ 92714 0 |
| 6-2 | Guarnizione NBR 75 SH. 19,1x10x3,5 Gasket NBR 75 SH. 19,1x10x3,5 Dichtung NBR 75 SH. 19,1x10x3,5 Joint NBR 75 SH. 19,1x10x3,5 | ZZ 92715 0 | 9-1 | Bocca senza deviazione Spout without diverter Auslauf ohne Umstellung Bec sans inverseur | ZZ 93363 0 | 12 | Supporto doccia batteria bordo vasca "BA" Deck-mounted handshower support "BA" Brausenhalter "BA" Support douche "BA" | ZZ 93402 0 |

BA.4

BA000260

<https://en.cisal.it/deck-mounted-4-hole-bath-mixer-barcelona-ba000260>

2025-01-05