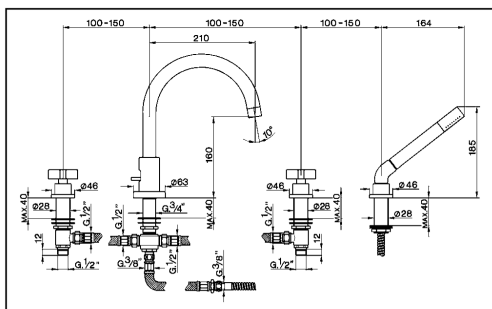


Deck-mounted 4-hole bath mixer BARCELONA_BA000260

cisal

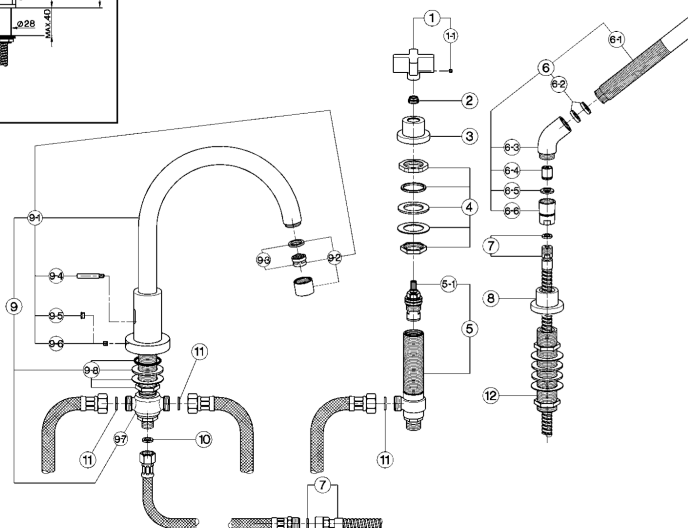
BA 00026 (BA 00025)



- Batteria bordo vasca a 4 fori
- Deck-mounted 4-hole bath mixer
- 4 Loch - Badebatterie
- Mélangeur B/D 4-trous sur gorge

bar	PORTATA BOCCA DI EROGAZIONE * SPOUT FLOW RATE DURCHFLOSS WANNENEINLAUF DÉBIT BEC DÉVERSEUR l/min.
0,5	10
1	15
2	21
3	25,5
4	30,5
5	32,5

* con resistenza silenziosa della classe di portata C (30 l/min. a 3 bar)
with hydraulic resistance of flow rate class C (30 l/min. at 3 bar)
mit geräuscharmen Widerstand der Durchflussklasse C (30 l/min. bei 3 bar)
avec aérateur classe C (30 l/min. à 3 bar)



NR.	DESCRIZIONE DESCRIPTION BESCHREIBUNG DESCRIPTION	N. CODICE CODE NO. WERKSNR. NR. CODE	NR.	DESCRIZIONE DESCRIPTION BESCHREIBUNG DESCRIPTION	N. CODICE CODE NO. WERKSNR. NR. CODE	NR.	DESCRIZIONE DESCRIPTION BESCHREIBUNG DESCRIPTION	N. CODICE CODE NO. WERKSNR. NR. CODE
1	Maniglia "BA" per monofori Handle "BA" for single hole mixer Griff "BA" f/ Einloch-Batterien Croisillon "BA" pour mélangeur monofou	ZZ 93289 0	6-3	Curvetta doccia batteria vasca Connection for handshower Brausewinkel f/WB Raccord douche s/gorge	ZZ 92601 0	9-2	Aeratore M.22x1 IC Cascade Mousseur M.22x1 IC Cascade Perforator M.22x1 IC Cascade Mousseur M.22x1 IC Cascade	ZZ 93284 0
1-1	Grano punta plana inox M.4x4 Screw-stainless steel M.4x4 Madenschraube M.4x4 Vis speciale inox M.4x4	ZZ 93328 0	6-4	Valvola anti-ritorno Ø15 per doccia Back-flow valve Ø15 Durchflussverhinderer Ø15 Clapet anti-retour Ø15	ZZ 92956 0	9-3	Cartuccia per aeratore M. 22x1 Cascade Mousseur cartridge M.22x1 Cascade Kart. f/Perforator M.22x1 Cascade Cartouche x mousseur M.22x1 Cascade	ZZ 93318 0
2	Riduzione brocciata completa Complete broached reduction piece Verkerzung Raumwerkzeug komplett Reduction avec brochage complète	ZZ 93330 0	6-5	Guarnizione fibra 18,5x11x2 Gasket rubber 18,5x11x2 Fiberdichtung 18,5x11x2 Joint en fibre 18,5x11x2	ZZ 92714 0	9-4	Pomolo per deviazione bocca batteria vasca Knob for bath spout Zugknopf Umsteller Pomneau x inverseur	ZZ 93365 0
3	Cappuccio per batteria lavabo Escutcheon for basin mixer Abdeckklappe - WT Rosace lavabo	ZZ 93333 0	6-6	Raccordo conico doccia batteria vasca Connection for shower Anschluss Raccord douche s/gorge	ZZ 92680 0	9-5	Placchetta per leva neutra Cap for lever Abdeckklappe f/Hebel Plaquelette levier	ZZ 92711 0
4	Set installazione batteria lavabo Installation set basin mixer Belegungsset Set installation	ZZ 93348 0	7	Flessibile 175 cm Ø14 3/8" x M.15x1 Flex 175 cm Ø14 3/8" x M.15x1 Brauseschlauch 175 cm Ø14 3/8" x M.15x1 Flex 175 cm Ø14 3/8" x M.15x1	ZZ 92757 0	9-6	Grano punta plana inox M.6x6 Screw-stainless steel M.6x6 Madenschraube M.6x6 Vis speciale inox M.6x6	ZZ 92645 0
5	Piantana Vitone DX Tail piece-basin mixer right Unterteil WT m/Oberteil rechts Corp lat. lev. tête droite	ZZ 92888 0	8	Cappuccio supporto doccia batteria vasca Escutcheon shower Abdeckklappe Rosace douche	ZZ 93367 0	9-7	Crociera bocca batteria bordo vasca completa Cross connection for bath mixer Verbindungsstück pass. zu SU/AR/AC 26 Raccord a croix pour bec sur gorge	ZZ 92914 0
5-1	Vitone ceramico 1/2" DX 90° Ceramic headvalve 1/2" right 90° Keramikoberteil 1/2" - rechts - 90° Tête céram. 1/2" droite 90°	ZZ 92907 0	9	Bocca batteria vasca con deviazione Spout bath mixer with diverter Auslauf-WB - mit Umstellung Bec bain/douche avec inverseur	ZZ 93361 0	9-8	Set installazione bocca batteria bordo vasca Installation set for deck-mounted spout Belegungsset Set installation	ZZ 93366 0
6	Bocca minima per batteria vasca Handshower minimal for bath mixer Handbrause minimal f/Badebatterie Douchette minimal sur gorge	ZZ 93368 0	9	Bocca batteria vasca senza deviazione Spout bath mixer without diverter Auslauf-WB - ohne Umstellung Bec bain/douche sans inverseur	ZZ 93362 0	10	Guarnizione fibra 3/8" Gasket rubber 3/8" Fiberdichtung 3/8" Joint en fibre 3/8"	ZZ 92696 0
6-1	Bocca minimale Minimal handshower Handbrause minimal Douchette minimal	DS 01409 0	9-1	Bocca con deviazione Spout with diverter Auslauf mit Umstellung Bec avec inverseur	ZZ 93364 0	11	Guarnizione fibra 18,5x11x2 Gasket rubber 18,5x11x2 Fiberdichtung 18,5x11x2 Joint en fibre 18,5x11x2	ZZ 92714 0
6-2	Guarnizione NBR 75 SH. 19,1x10x3,5 Gasket NBR 75 SH. 19,1x10x3,5 Dichtung NBR 75 SH. 19,1x10x3,5 Joint NBR 75 SH. 19,1x10x3,5	ZZ 92715 0	9-1	Bocca senza deviazione Spout without diverter Auslauf ohne Umstellung Bec sans inverseur	ZZ 93363 0	12	Supporto doccia batteria bordo vasca "BA" Deck-mounted handshower support "BA" Braushalter "BA" Support douche "BA"	ZZ 93402 0

BA.4

BA000260

<https://en.cisal.it/deck-mounted-4-hole-bath-mixer-barcelona-ba000260>

2025-01-05